



Contact characteristics

Number of poles	Nr.	3
Rated insulation voltage U_i IEC/EN	V	1000
Rated impulse withstand voltage U_{imp}	kV	8
Operational frequency	min	Hz 25
	max	Hz 400
IEC Conventional free air thermal current $I_{th} \leq 40^\circ C$	A	250
Operational current I_e	AC-1 ($\leq 40^\circ C$)	A 250
	AC-1 ($\leq 55^\circ C$)	A 210
	AC-1 ($\leq 70^\circ C$)	A 180
	AC-3 ($\leq 440V \leq 55^\circ C$)	A 160
	AC-4 (400V)	A 75
Rated operational power AC-3 ($T \leq 55^\circ C$)	230V	kW 45
	400V	kW 75
	415V	kW 90
	440V	kW 90
	500V	kW 110
	690V	kW 132
	1000V	kW 75
Rated operational current AC-3 ($T \leq 55^\circ C$)	230V	A 160
	400V	A 160
	415V	A 160
	440V	A 160
	500V	A 150
	690V	A 135
	1000V	A 60
Rated operational power AC-1 ($T \leq 40^\circ C$)	230V	kW 95
	400V	kW 165
	500V	kW 181
	690V	kW 284
IEC max current I_e in DC1 with $L/R \leq 1ms$ with 1 poles in series	$\leq 24V$	A 250
	48V	A 250
	75V	A 250
	110V	A 110
	220V	A -
IEC max current I_e in DC1 with $L/R \leq 1ms$ with 2 poles in series	$\leq 24V$	A 250
	48V	A 250
	75V	A 250

	110V	A	150
	220V	A	130
<hr/>			
IEC max current I _e in DC1 with L/R ≤ 1ms with 3 poles in series	≤24V	A	250
	48V	A	250
	75V	A	250
	110V	A	160
	220V	A	150
	330V	A	130
<hr/>			
IEC max current I _e in DC1 with L/R ≤ 1ms with 4 poles in series	≤24V	A	250
	48V	A	250
	75V	A	250
	110V	A	250
	220V	A	250
<hr/>			
IEC max current I _e in DC3-DC5 with L/R ≤ 15ms with 1 poles in series	≤24V	A	250
	48V	A	250
	75V	A	160
	110V	A	80
	220V	A	–
<hr/>			
IEC max current I _e in DC3-DC5 with L/R ≤ 15ms with 2 poles in series	≤24V	A	250
	48V	A	250
	75V	A	160
	110V	A	120
	220V	A	90
<hr/>			
IEC max current I _e in DC3-DC5 with L/R ≤ 15ms with 3 poles in series	≤24V	A	250
	48V	A	250
	75V	A	160
	110V	A	140
	220V	A	120
	330V	A	90
<hr/>			
IEC max current I _e in DC3-DC5 with L/R ≤ 15ms with 4 poles in series	≤24V	A	250
	48V	A	250
	75V	A	160
	110V	A	140
	220V	A	140
	330V	A	140
	460V	A	90
<hr/>			
Short-time allowable current for 10s (IEC/EN60947-1)		A	1280
<hr/>			
Protection fuse	gG (IEC)	A	315
	aM (IEC)	A	200
<hr/>			
Making capacity (RMS value)		A	1360
<hr/>			
Breaking capacity at voltage	440V	A	1360
	500V	A	1326
	690V	A	1139
<hr/>			
Resistance per pole (average value)		mΩ	0.18
<hr/>			
Power dissipation per pole (average value)	I _{th}	W	11

	AC-3	W	4.5
Tightening torque for terminals			
	min	Nm	18
	max	Nm	18
	min	lbin	159
	max	lbin	159
Tightening torque for coil terminal			
	min	Nm	0.8
	max	Nm	1
Power terminal protection according to IEC/EN 60529			IP00
Mechanical features			
Operating position			
	normal allowable		Vertical plan ±30°
Fixing			Screw
Weight		g	3000
Operations			
Mechanical life		cycles	10000000
Electrical life		cycles	1000000
Safety related data			
Performance level B10d according to EN/ISO 13489-1			
	rated load mechanical load	cycles	1000000
		cycles	10000000
EMC compatibility			yes
AC coil operating			
Rated AC voltage at 50/60Hz, 60Hz			
	min	V	60
	max	V	130
AC operating voltage			
of 50/60Hz coil powered at 50Hz			
pick-up		min	%Us 80 Us min
		max	%Us 110 Us max
drop-out		max	%Us ≤70 Us min
of 50/60Hz coil powered at 60Hz			
pick-up		min	%Us 80 Us min
		max	%Us 110 Us max
drop-out		max	%Us ≤70 Us min
AC average coil consumption at 20°C			
of 50/60Hz coil powered at 50Hz			
	in-rush	VA	160...230
	holding	VA	1.5...3.0
of 50/60Hz coil powered at 60Hz			
	in-rush	VA	160...230
	holding	VA	1.5...3.0
of 60Hz coil powered at 60Hz			
	in-rush	VA	160...230
	holding	VA	1.5...3.0
Dissipation at holding ≤20°C 50Hz			W 1.5...3.0
DC coil operating			

DC rated control voltage

	min	V	60
	max	V	130
max		V	130

DC operating voltage

pick-up

min	%Us	85 Us min
max	%Us	110 Us max

drop-out

max	%Us	≤70 Us min
-----	-----	------------

Average coil consumption ≤20°C

in-rush	W	160...230
holding	W	1.5...3.0

Max cycles frequency

Mechanical operation

cycles/h 1000

Operating times

Average time for Us control

in AC

Closing NO

min	ms	50
max	ms	100

Opening NO

min	ms	35
max	ms	75

UL technical data

Rated operational voltage AC (UL)

V 600

Yielded mechanical performance

for three-phase AC motor

200/208V	HP	50
220/240V	HP	60
460/480V	HP	125
575/600V	HP	150

General USE

Contactor

AC current A 250

Short-circuit protection fuse, 600V

High fault

Short circuit current	kA	100
Fuse rating	A	400
Fuse class		J

Standard fault

Short circuit current	kA	10
Fuse rating	A	400
Fuse class		RK5

Ambient conditions

Temperature

Operating temperature

min	°C	-40
max	°C	70

Storage temperature

min	°C	-50
max	°C	80

Max altitude

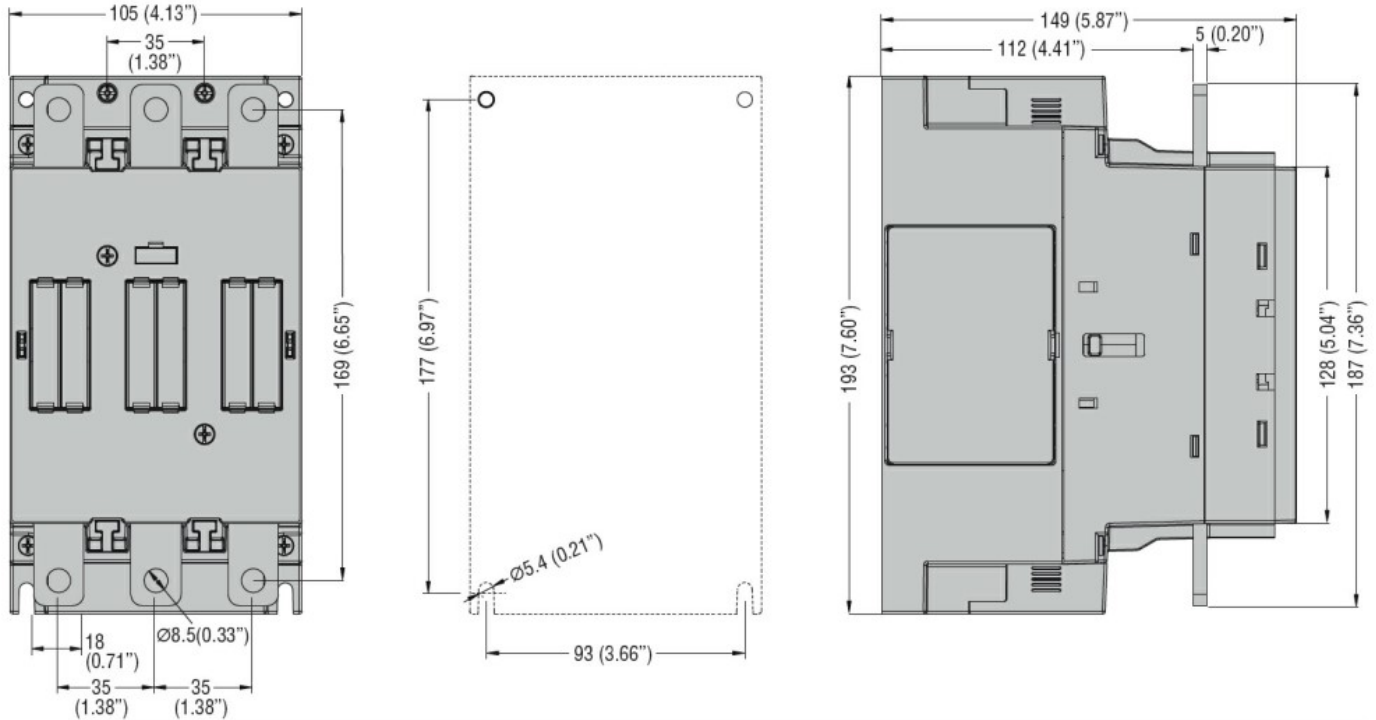
m 3000

Resistance & Protection

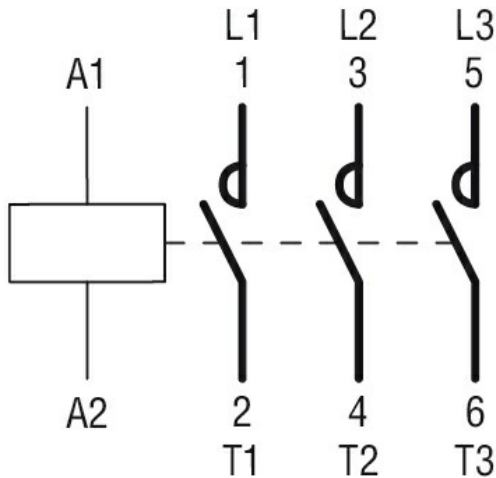
Pollution degree

3

Dimensions



Wiring diagrams



Certifications and compliance

Compliance

CSA C22.2 n° 60947-1

CSA C22.2 n° 60947-4-1

IEC/EN/BS 60947-1

IEC/EN/BS 60947-4-1

UL 60947-1

UL 60947-4-1

Certificates

cULus

ETIM classification

ETIM 8.0

EC000066 -
Power contactor,
AC switching