



**Contact characteristics**

Number of poles	Nr.	3
Rated insulation voltage $U_i$ IEC/EN	V	1000
Rated impulse withstand voltage $U_{imp}$	kV	8
Operational frequency	min	Hz 25
	max	Hz 400
IEC Conventional free air thermal current $I_{th} \leq 40^\circ\text{C}$	A	350
Operational current $I_e$	AC-1 ( $\leq 40^\circ\text{C}$ )	A 350
	AC-1 ( $\leq 55^\circ\text{C}$ )	A 290
	AC-1 ( $\leq 70^\circ\text{C}$ )	A 250
	AC-3 ( $\leq 440\text{V} \leq 55^\circ\text{C}$ )	A 230
	AC-4 (400V)	A 110
Rated operational power AC-3 ( $T \leq 55^\circ\text{C}$ )	230V	kW 55
	400V	kW 110
	415V	kW 110
	440V	kW 132
	500V	kW 132
	690V	kW 160
	1000V	kW 110
Rated operational current AC-3 ( $T \leq 55^\circ\text{C}$ )	230V	A 230
	400V	A 230
	415V	A 230
	440V	A 230
	500V	A 184
	690V	A 165
	1000V	A 100
Rated operational power AC-1 ( $T \leq 40^\circ\text{C}$ )	230V	kW 132
	400V	kW 230
	500V	kW 253
	690V	kW 397
IEC max current $I_e$ in DC1 with $L/R \leq 1\text{ms}$ with 1 poles in series	$\leq 24\text{V}$	A 350
	48V	A 350
	75V	A 350
	110V	A 145
	220V	A -
IEC max current $I_e$ in DC1 with $L/R \leq 1\text{ms}$ with 2 poles in series	$\leq 24\text{V}$	A 350
	48V	A 350
	75V	A 350

	110V	A	270
	220V	A	225
<hr/>			
IEC max current I <sub>e</sub> in DC1 with L/R ≤ 1ms with 3 poles in series			
	≤24V	A	350
	48V	A	350
	75V	A	350
	110V	A	270
	220V	A	270
	330V	A	225
<hr/>			
IEC max current I <sub>e</sub> in DC1 with L/R ≤ 1ms with 4 poles in series			
	≤24V	A	350
	48V	A	350
	75V	A	350
	110V	A	350
	220V	A	350
<hr/>			
IEC max current I <sub>e</sub> in DC3-DC5 with L/R ≤ 15ms with 1 poles in series			
	≤24V	A	350
	48V	A	350
	75V	A	250
	110V	A	135
	220V	A	–
<hr/>			
IEC max current I <sub>e</sub> in DC3-DC5 with L/R ≤ 15ms with 2 poles in series			
	≤24V	A	350
	48V	A	350
	75V	A	250
	110V	A	225
	220V	A	180
<hr/>			
IEC max current I <sub>e</sub> in DC3-DC5 with L/R ≤ 15ms with 3 poles in series			
	≤24V	A	350
	48V	A	350
	75V	A	250
	110V	A	250
	220V	A	225
	330V	A	180
<hr/>			
IEC max current I <sub>e</sub> in DC3-DC5 with L/R ≤ 15ms with 4 poles in series			
	≤24V	A	350
	48V	A	350
	75V	A	250
	110V	A	250
	220V	A	225
	330V	A	210
	460V	A	180
<hr/>			
Short-time allowable current for 10s (IEC/EN60947-1)		A	1840
<hr/>			
Protection fuse			
	gG (IEC)	A	400
	aM (IEC)	A	250
<hr/>			
Making capacity (RMS value)		A	2300
<hr/>			
Breaking capacity at voltage			
	440V	A	1840
	500V	A	1472
	690V	A	1296
<hr/>			
Resistance per pole (average value)		mΩ	0.18
<hr/>			
Power dissipation per pole (average value)		I <sub>th</sub>	W
			21

	AC-3	W	9.3
Tightening torque for terminals			
	min	Nm	18
	max	Nm	18
	min	lbin	159
	max	lbin	159
Tightening torque for coil terminal			
	min	Nm	0.8
	max	Nm	1
Power terminal protection according to IEC/EN 60529			IP00
<b>Mechanical features</b>			
Operating position			
	normal allowable		Vertical plan ±30°
Fixing			Screw
Weight		g	3000
<b>Operations</b>			
Mechanical life		cycles	10000000
Electrical life		cycles	1000000
<b>Safety related data</b>			
Performance level B10d according to EN/ISO 13489-1			
	rated load mechanical load	cycles	1000000
		cycles	10000000
EMC compatibility			yes
<b>AC coil operating</b>			
Rated AC voltage at 50/60Hz, 60Hz			
	min	V	100
	max	V	250
AC operating voltage			
of 50/60Hz coil powered at 50Hz			
pick-up			
	min	%Us	80 Us min
	max	%Us	110 Us max
drop-out			
	max	%Us	≤70 Us min
of 50/60Hz coil powered at 60Hz			
pick-up			
	min	%Us	80 Us min
	max	%Us	110 Us max
drop-out			
	max	%Us	≤70 Us min
AC average coil consumption at 20°C			
of 50/60Hz coil powered at 50Hz			
	in-rush	VA	160...230
	holding	VA	1.5...3.0
of 50/60Hz coil powered at 60Hz			
	in-rush	VA	160...230
	holding	VA	1.5...3.0
of 60Hz coil powered at 60Hz			
	in-rush	VA	160...230
	holding	VA	1.5...3.0
Dissipation at holding ≤20°C 50Hz			W 1.5...3.0
<b>DC coil operating</b>			

DC rated control voltage

	min	V	100
	max	V	250
max		V	250

DC operating voltage

pick-up

min	%Us	85 Us min
max	%Us	110 Us max

drop-out

max	%Us	≤70 Us min
-----	-----	------------

Average coil consumption ≤20°C

in-rush	W	160...230
holding	W	1.5...3.0

Max cycles frequency

Mechanical operation	cycles/h	1000
----------------------	----------	------

Operating times

Average time for Us control

in AC

Closing NO

min	ms	50
max	ms	100

Opening NO

min	ms	30
max	ms	75

UL technical data

Rated operational voltage AC (UL)	V	600
-----------------------------------	---	-----

Yielded mechanical performance

for three-phase AC motor

200/208V	HP	75
220/240V	HP	75
460/480V	HP	150
575/600V	HP	200

General USE

Contactor

AC current	A	350
------------	---	-----

Short-circuit protection fuse, 600V

High fault

Short circuit current	kA	100
Fuse rating	A	400
Fuse class		J

Standard fault

Short circuit current	kA	10
Fuse rating	A	400
Fuse class		RK5

Ambient conditions

Temperature

Operating temperature

min	°C	-40
max	°C	70

Storage temperature

min	°C	-50
max	°C	80

Max altitude

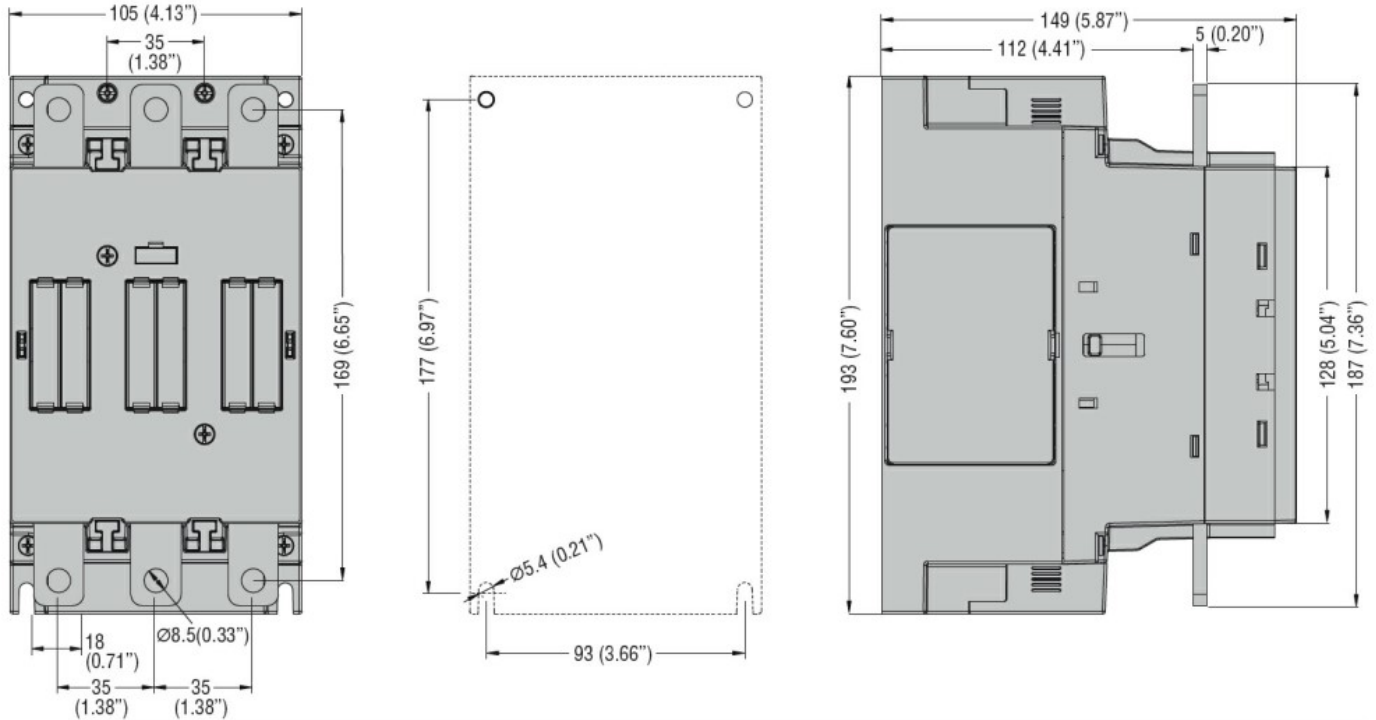
m	3000
---	------

Resistance & Protection

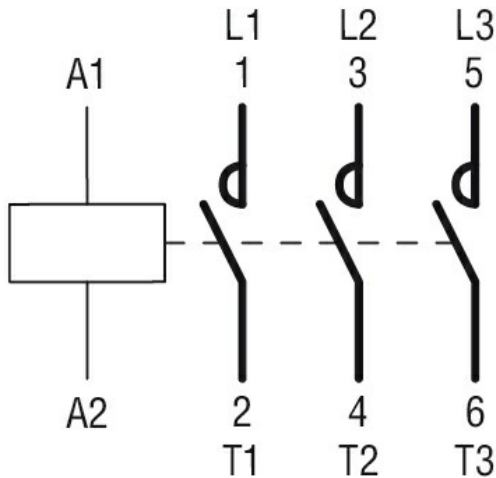
Pollution degree

3

**Dimensions**



**Wiring diagrams**



**Certifications and compliance**

**Compliance**

CSA C22.2 n° 60947-1

CSA C22.2 n° 60947-4-1

IEC/EN/BS 60947-1

IEC/EN/BS 60947-4-1

UL 60947-1

UL 60947-4-1

**Certificates**

cULus

**ETIM classification**

ETIM 8.0

EC000066 -  
Power contactor,  
AC switching