



Contact characteristics

Number of poles	Nr.	3
Rated insulation voltage U_i IEC/EN	V	690
Rated impulse withstand voltage U_{imp}	kV	6
Operational frequency	min	Hz 25
	max	Hz 400
IEC Conventional free air thermal current $I_{th} \leq 40^\circ C$	A	56
Operational current I_e	AC-1 ($\leq 40^\circ C$)	A 56
	AC-1 ($\leq 55^\circ C$)	A 45
	AC-1 ($\leq 70^\circ C$)	A 40
	AC-3 ($\leq 440V \leq 55^\circ C$)	A 32
	AC-4 (400V)	A 13.5
Rated operational power AC-3 ($T \leq 55^\circ C$)	230V	kW 8.8
	400V	kW 16
	415V	kW 17
	440V	kW 17
	500V	kW 20
	690V	kW 22
Rated operational power AC-1 ($T \leq 40^\circ C$)	230V	kW 21
	400V	kW 36
	500V	kW 45
	690V	kW 62
IEC max current I_e in DC1 with $L/R \leq 1ms$ with 1 poles in series	$\leq 24V$	A 30
	48V	A 26
	75V	A 22
	110V	A 8
	220V	A -
IEC max current I_e in DC1 with $L/R \leq 1ms$ with 2 poles in series	$\leq 24V$	A 32
	48V	A 32
	75V	A 28
	110V	A 25
	220V	A 3
IEC max current I_e in DC1 with $L/R \leq 1ms$ with 3 poles in series	$\leq 24V$	A 32
	48V	A 32
	75V	A 32
	110V	A 27
	220V	A 23
IEC max current I_e in DC1 with $L/R \leq 1ms$ with 4 poles in series		

	≤24V	A	–
	48V	A	–
	75V	A	–
	110V	A	–
	220V	A	–
<hr/>			
IEC max current I _e in DC3-DC5 with L/R ≤ 15ms with 1 poles in series	≤24V	A	20
	48V	A	17
	75V	A	15
	110V	A	2,5
	220V	A	–
<hr/>			
IEC max current I _e in DC3-DC5 with L/R ≤ 15ms with 2 poles in series	≤24V	A	25
	48V	A	22
	75V	A	20
	110V	A	15
	220V	A	3
<hr/>			
IEC max current I _e in DC3-DC5 with L/R ≤ 15ms with 3 poles in series	≤24V	A	30
	48V	A	28
	75V	A	28
	110V	A	20
	220V	A	23
<hr/>			
IEC max current I _e in DC3-DC5 with L/R ≤ 15ms with 4 poles in series	≤24V	A	–
	48V	A	–
	75V	A	–
	110V	A	–
	220V	A	–
<hr/>			
Short-time allowable current for 10s (IEC/EN60947-1)		A	320
<hr/>			
Protection fuse	gG (IEC)	A	63
	aM (IEC)	A	32
<hr/>			
Making capacity (RMS value)		A	320
<hr/>			
Breaking capacity at voltage	440V	A	256
	500V	A	240
	690V	A	192
<hr/>			
Resistance per pole (average value)		mΩ	2
<hr/>			
Power dissipation per pole (average value)	I _{th}	W	6
	AC-3	W	2
<hr/>			
Tightening torque for terminals	min	Nm	2.5
	max	Nm	3
	min	I _{bin}	1.8
	max	I _{bin}	2.2
<hr/>			
Tightening torque for coil terminal	min	Nm	0.8
	max	Nm	1
	min	I _{bin}	0.8
	max	I _{bin}	0.74
<hr/>			
Max number of wires simultaneously connectable		Nr.	2

Conductor section			
AWG/Kcmil		max	6
Flexible w/o lug conductor section			
		min	mm ² 2.5
		max	mm ² 16
Flexible c/w lug conductor section			
		min	mm ² 1
		max	mm ² 10
Flexible with insulated spade lug conductor section			
		min	mm ² 1
		max	mm ² 16
Power terminal protection according to IEC/EN 60529			IP20 when properly wired
Cable stripping length			
	main circuit	mm	10
	command circuit	mm	8
Mechanical features			
Operating position			
	normal allowable		Vertical plan ±30°
Fixing			Screw / DIN rail 35mm
Weight			g 424
Operations			
Mechanical life			cycles 20000000
Electrical life			cycles 1600000
Safety related data			
Performance level B10d according to EN/ISO 13489-1			
	rated load	cycles	1600000
	mechanical load	cycles	20000000
EMC compatibility			yes
AC coil operating			
Rated AC voltage at 50/60Hz			V 230
AC operating voltage			
of 50/60Hz coil powered at 50Hz			
	pick-up	min	%Us 80
		max	%Us 110
	drop-out	min	%Us 20
		max	%Us 55
of 50/60Hz coil powered at 60Hz			
	pick-up	min	%Us 85
		max	%Us 110
	drop-out	min	%Us 20
		max	%Us 55
AC average coil consumption at 20°C			
of 50/60Hz coil powered at 50Hz			
	in-rush	VA	75
	holding	VA	9
of 50/60Hz coil powered at 60Hz			

	in-rush	VA	70
	holding	VA	6.5
of 60Hz coil powered at 60Hz			
	in-rush	VA	75
	holding	VA	9
Dissipation at holding ≤20°C 50Hz		W	2.5
Max cycles frequency			
Mechanical operation		cycles/h	3600
Operating times			
Average time for Us control			
in AC			
	Closing NO		
		min	ms 8
		max	ms 24
	Opening NO		
		min	ms 5
		max	ms 15
	Closing NC		
		min	ms 9
		max	ms 20
	Opening NC		
		min	ms 9
		max	ms 17
UL technical data			
Rated operational voltage AC (UL)		V	600
Full-load current (FLA) for three-phase AC motor			
	at 480V	A	27
	at 600V	A	27
Yielded mechanical performance			
for single-phase AC motor			
	110/120V	HP	3
	230V	HP	7.5
for three-phase AC motor			
	200/208V	HP	10
	220/240V	HP	10
	460/480V	HP	20
	575/600V	HP	25
General USE			
Contactor			
	AC current	A	55
Short-circuit protection fuse, 600V			
High fault			
	Short circuit current	kA	100
	Fuse rating	A	100
	Fuse class		J
Standard fault			
	Short circuit current	kA	5
	Fuse rating	A	125
Ambient conditions			
Temperature			
Operating temperature			
	min	°C	-50
	max	°C	70
Storage temperature			

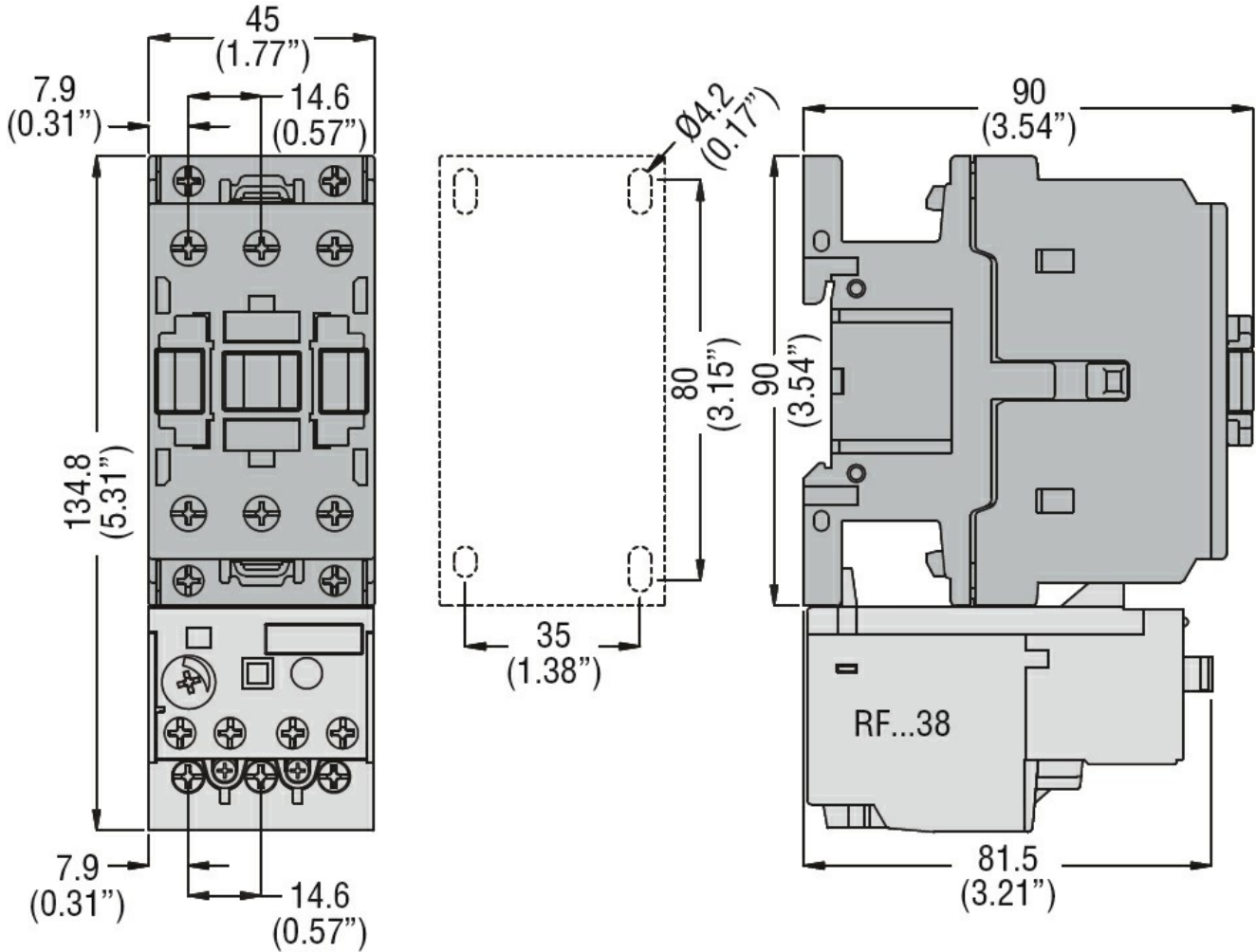
min	°C	-60
max	°C	80
Max altitude		m 3000

Resistance & Protection

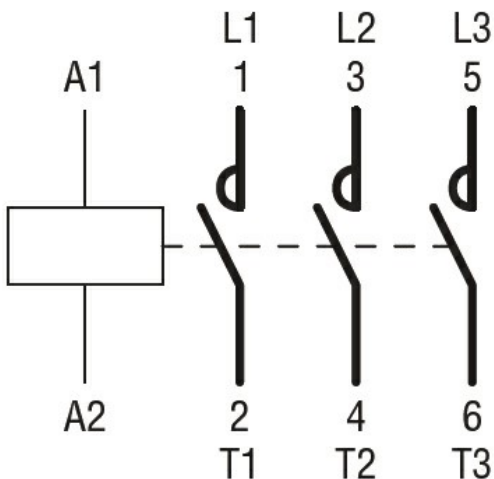
Pollution degree

3

Dimensions



Wiring diagrams



Certifications and compliance

Compliance

CSA C22.2 n° 60947-1

CSA C22.2 n° 60947-4-1

IEC/EN 60335-2-89

IEC/EN/BS 60947-1

IEC/EN/BS 60947-4-1

UL 60947-1

UL 60947-4-1

Certificates

CCC

CSA C22.2 n. 60335-2-40:22 LZGH A2L

CSA C22.2 No. 60335-2-89:21 LZGH A2L

cULus

EAC

UL 60335-2-40 LZGH A2L

UL 60335-2-89 LZGH A2L

ETIM classification

ETIM 8.0

EC000066 -
Power contactor,
AC switching