



### Contact characteristics

Number of poles	Nr.	3	
Rated insulation voltage $U_i$ IEC/EN	V	690	
Rated impulse withstand voltage $U_{imp}$	kV	6	
Operational frequency	min	Hz 25	
	max	Hz 400	
IEC Conventional free air thermal current $I_{th} \leq 40^\circ\text{C}$	A	56	
Operational current $I_e$	AC-1 ( $\leq 40^\circ\text{C}$ )	A	56
	AC-1 ( $\leq 40^\circ\text{C}$ ) with 16mm <sup>2</sup> wire and fork end lug	A	60
	AC-1 ( $\leq 55^\circ\text{C}$ )	A	45
	AC-1 ( $\leq 55^\circ\text{C}$ ) with 16mm <sup>2</sup> wire and fork end lug	A	48
	AC-1 ( $\leq 70^\circ\text{C}$ )	A	40
	AC-1 ( $\leq 70^\circ\text{C}$ ) with 16mm <sup>2</sup> wire and fork end lug	A	42
	AC-3 ( $\leq 440\text{V} \leq 55^\circ\text{C}$ )	A	38
Rated operational power AC-3 ( $T \leq 55^\circ\text{C}$ )	AC-4 (400V)	A	15.5
	230V	kW	11
	400V	kW	18.5
	415V	kW	18.5
	440V	kW	18.5
	500V	kW	20
	690V	kW	22
Rated operational power AC-1 ( $T \leq 40^\circ\text{C}$ )	230V	kW	21
	400V	kW	36
	500V	kW	45
	690V	kW	62
	IEC max current $I_e$ in DC1 with $L/R \leq 1\text{ms}$ with 1 poles in series	$\leq 24\text{V}$	A
48V		A	30
75V		A	23
110V		A	8
220V		A	–
IEC max current $I_e$ in DC1 with $L/R \leq 1\text{ms}$ with 2 poles in series		$\leq 24\text{V}$	A
	48V	A	34
	75V	A	29
	110V	A	32
	220V	A	4
	IEC max current $I_e$ in DC1 with $L/R \leq 1\text{ms}$ with 3 poles in series	$\leq 24\text{V}$	A
48V		A	34
75V		A	33

	110V	A	34
	220V	A	30
IEC max current I <sub>e</sub> in DC1 with L/R ≤ 1ms with 4 poles in series			
	≤24V	A	36
	48V	A	34
	75V	A	33
	110V	A	34
	220V	A	38
IEC max current I <sub>e</sub> in DC3-DC5 with L/R ≤ 15ms with 1 poles in series			
	≤24V	A	24
	48V	A	20
	75V	A	17
	110V	A	2,5
	220V	A	–
IEC max current I <sub>e</sub> in DC3-DC5 with L/R ≤ 15ms with 2 poles in series			
	≤24V	A	28
	48V	A	25
	75V	A	22
	110V	A	18
	220V	A	3
IEC max current I <sub>e</sub> in DC3-DC5 with L/R ≤ 15ms with 3 poles in series			
	≤24V	A	32
	48V	A	28
	75V	A	28
	110V	A	23
	220V	A	25
IEC max current I <sub>e</sub> in DC3-DC5 with L/R ≤ 15ms with 4 poles in series			
	≤24V	A	32
	48V	A	28
	75V	A	28
	110V	A	23
	220V	A	15
Short-time allowable current for 10s (IEC/EN60947-1)		A	320
Protection fuse			
	gG (IEC)	A	63
	aM (IEC)	A	40
Making capacity (RMS value)		A	380
Breaking capacity at voltage			
	440V	A	304
	500V	A	240
	690V	A	192
Resistance per pole (average value)		mΩ	2
Power dissipation per pole (average value)			
	I <sub>th</sub>	W	6
	AC-3	W	2.9
Tightening torque for terminals			
	min	Nm	2.5
	max	Nm	3
	min	I <sub>bin</sub>	1.8
	max	I <sub>bin</sub>	2.2
Tightening torque for coil terminal			
	min	Nm	0.8
	max	Nm	1

	min	I <sub>bin</sub>	0.8
	max	I <sub>bin</sub>	0.74
Max number of wires simultaneously connectable		Nr.	2
Conductor section			
AWG/Kcmil			
	max		6
Flexible w/o lug conductor section			
	min	mm <sup>2</sup>	2.5
	max	mm <sup>2</sup>	16
Flexible c/w lug conductor section			
	min	mm <sup>2</sup>	1
	max	mm <sup>2</sup>	10
Flexible with insulated spade lug conductor section			
	min	mm <sup>2</sup>	1
	max	mm <sup>2</sup>	16
Power terminal protection according to IEC/EN 60529			IP20 when properly wired
Cable stripping length			
	main circuit	mm	10
	command circuit	mm	8
<b>Mechanical features</b>			
Operating position			
	normal allowable		Vertical plan ±30°
Fixing			Screw / DIN rail 35mm
Weight		g	433
<b>Operations</b>			
Mechanical life		cycles	20000000
Electrical life		cycles	1400000
<b>Safety related data</b>			
Performance level B10d according to EN/ISO 13489-1			
	rated load	cycles	1400000
	mechanical load	cycles	20000000
EMC compatibility			yes
<b>AC coil operating</b>			
Rated AC voltage at 50/60Hz		V	400
AC operating voltage			
of 50/60Hz coil powered at 50Hz			
pick-up	min	%U <sub>s</sub>	80
	max	%U <sub>s</sub>	110
drop-out	min	%U <sub>s</sub>	20
	max	%U <sub>s</sub>	55
of 50/60Hz coil powered at 60Hz			
pick-up	min	%U <sub>s</sub>	85
	max	%U <sub>s</sub>	110
drop-out	min	%U <sub>s</sub>	20
	max	%U <sub>s</sub>	55
AC average coil consumption at 20°C			
of 50/60Hz coil powered at 50Hz			

	in-rush	VA	75
	holding	VA	9
of 50/60Hz coil powered at 60Hz			
	in-rush	VA	70
	holding	VA	6.5
of 60Hz coil powered at 60Hz			
	in-rush	VA	75
	holding	VA	9
Dissipation at holding ≤20°C 50Hz		W	2.5
<b>Max cycles frequency</b>			
Mechanical operation		cycles/h	3600
<b>Operating times</b>			
Average time for Us control in AC			
	Closing NO		
		min	ms 8
		max	ms 24
	Opening NO		
		min	ms 5
		max	ms 15
	Closing NC		
		min	ms 9
		max	ms 20
	Opening NC		
		min	ms 9
		max	ms 17
<b>UL technical data</b>			
Rated operational voltage AC (UL)		V	600
Full-load current (FLA) for three-phase AC motor			
	at 480V	A	40
	at 600V	A	32
Yielded mechanical performance for single-phase AC motor			
	110/120V	HP	3
	230V	HP	7.5
for three-phase AC motor			
	200/208V	HP	10
	220/240V	HP	15
	460/480V	HP	30
	575/600V	HP	30
General USE			
Contactor			
	AC current	A	55
Short-circuit protection fuse, 600V			
High fault			
	Short circuit current	kA	100
	Fuse rating	A	100
	Fuse class		J
Standard fault			
	Short circuit current	kA	5
	Fuse rating	A	150

**Ambient conditions**

Temperature

Operating temperature

min	°C	-50
max	°C	70

Storage temperature

min	°C	-60
max	°C	80

Max altitude

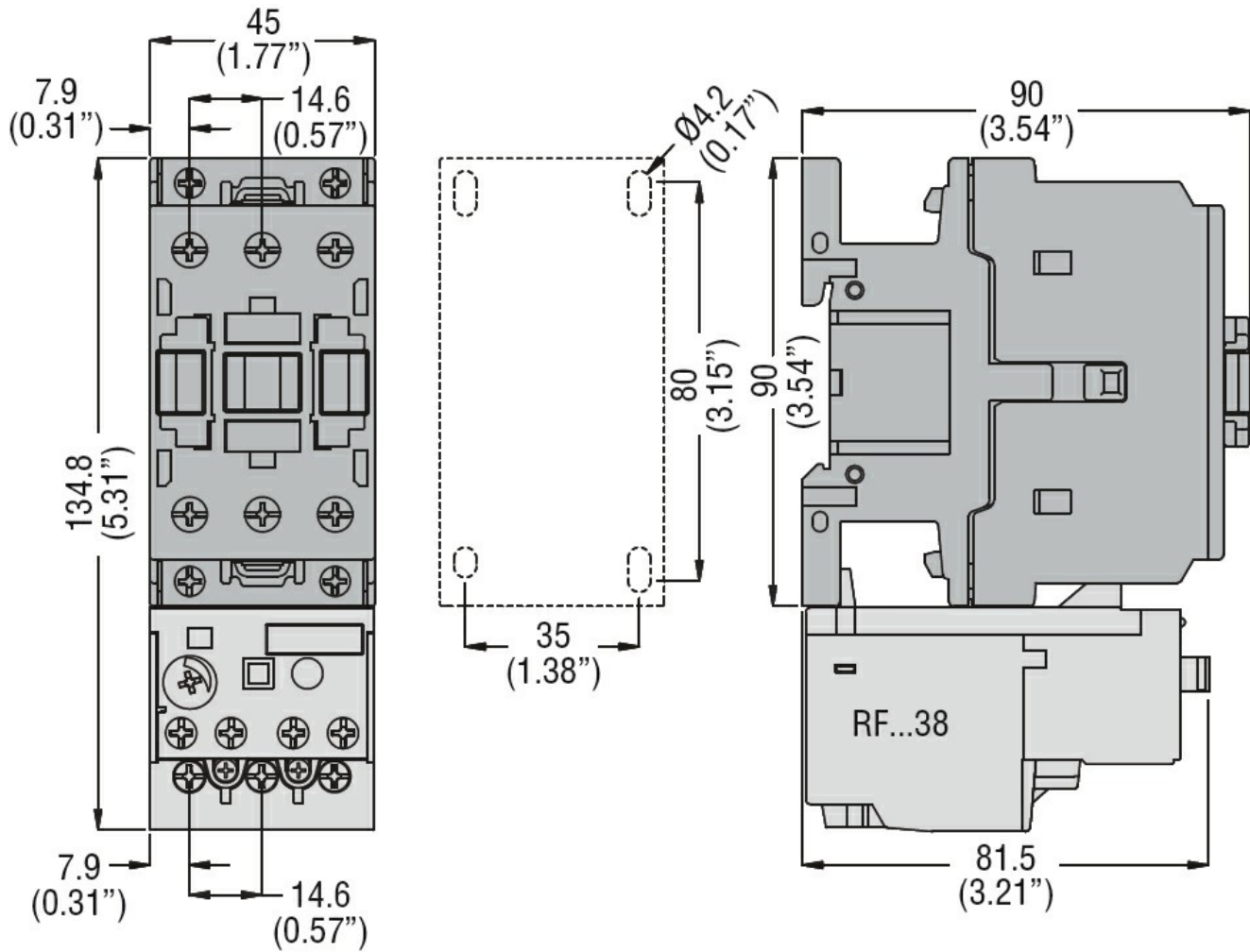
m 3000

**Resistance & Protection**

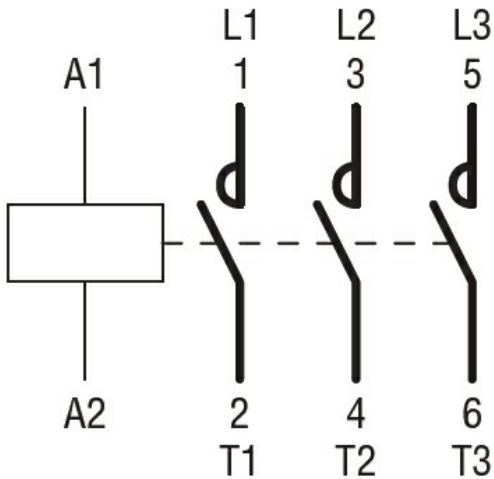
Pollution degree

3

**Dimensions**



**Wiring diagrams**



### Certifications and compliance

#### Compliance

CSA C22.2 n° 60947-1

CSA C22.2 n° 60947-4-1

IEC/EN 60335-2-89

IEC/EN/BS 60947-1

IEC/EN/BS 60947-4-1

UL 60947-1

UL 60947-4-1

#### Certificates

CCC

CSA C22.2 n. 60335-2-40:22 LZGH A2L

CSA C22.2 No. 60335-2-89:21 LZGH A2L

cULus

EAC

UL 60335-2-40 LZGH A2L

UL 60335-2-89 LZGH A2L

### ETIM classification

ETIM 8.0

EC000066 -  
Power contactor,  
AC switching