



Contact characteristics

Number of poles	Nr.	4
Rated insulation voltage U_i IEC/EN	V	1000
Rated impulse withstand voltage U_{imp}	kV	8
Operational frequency	min	Hz 25
	max	Hz 400
IEC Conventional free air thermal current $I_{th} \leq 40^\circ C$	A	90
Operational current I_e	AC-1 ($\leq 40^\circ C$)	A 90
	AC-1 ($\leq 55^\circ C$)	A 75
	AC-1 ($\leq 70^\circ C$)	A 65
	AC-3 ($\leq 440V \leq 55^\circ C$)	A 50
	AC-4 (400V)	A 28
Rated operational current AC-3 ($T \leq 55^\circ C$)	230V	A 50
	400V	A 50
	415V	A 50
	440V	A 50
	500V	A 44
	690V	A 39
	1000V	A 23
Rated operational power AC-1 ($T \leq 40^\circ C$)	230V	kW 34
	400V	kW 59
	500V	kW 74
	690V	kW 102
IEC max current I_e in DC1 with $L/R \leq 1ms$ with 1 poles in series	$\leq 24V$	A 45
	48V	A 40
	75V	A 40
	110V	A 8
	220V	A –
IEC max current I_e in DC1 with $L/R \leq 1ms$ with 2 poles in series	$\leq 24V$	A 60
	48V	A 60
	75V	A 60
	110V	A 50
	220V	A 7
IEC max current I_e in DC1 with $L/R \leq 1ms$ with 3 poles in series	$\leq 24V$	A 60
	48V	A 60
	75V	A 60
	110V	A 55
	220V	A 75

IEC max current I_e in DC1 with L/R ≤ 1ms with 4 poles in series

≤24V	A	60
48V	A	60
75V	A	60
110V	A	60
220V	A	90

IEC max current I_e in DC3-DC5 with L/R ≤ 15ms with 1 poles in series

≤24V	A	30
48V	A	25
75V	A	22
110V	A	3
220V	A	–

IEC max current I_e in DC3-DC5 with L/R ≤ 15ms with 2 poles in series

≤24V	A	35
48V	A	35
75V	A	30
110V	A	25
220V	A	5

IEC max current I_e in DC3-DC5 with L/R ≤ 15ms with 3 poles in series

≤24V	A	50
48V	A	50
75V	A	45
110V	A	30
220V	A	40

IEC max current I_e in DC3-DC5 with L/R ≤ 15ms with 4 poles in series

≤24V	A	55
48V	A	55
75V	A	55
110V	A	45
220V	A	50

Short-time allowable current for 10s (IEC/EN60947-1)

A	400
---	-----

Protection fuse

gG (IEC)	A	100
aM (IEC)	A	50

Making capacity (RMS value)

A	500
---	-----

Breaking capacity at voltage

440V	A	400
500V	A	352
690V	A	312

Resistance per pole (average value)

mΩ	0.8
----	-----

Power dissipation per pole (average value)

I _{th}	W	6.5
AC-3	W	2

Tightening torque for terminals

min	Nm	4
max	Nm	5
min	I _{bin}	2.95
max	I _{bin}	3.69

Tightening torque for coil terminal

min	Nm	0.8
max	Nm	1
min	I _{bin}	0.8
max	I _{bin}	0.74

Max number of wires simultaneously connectable	Nr.	2	
Conductor section			
AWG/Kcmil	max	2	
Flexible w/o lug conductor section	min	mm ²	1.5
	max	mm ²	35
Flexible c/w lug conductor section	min	mm ²	1.5
	max	mm ²	35
Power terminal protection according to IEC/EN 60529		IP20 front	
Mechanical features			
Operating position	normal allowable	Vertical plan ±30°	
Fixing		Screw / DIN rail 35mm	
Weight	g	1240	
Operations			
Mechanical life	cycles	15000000	
Electrical life	cycles	1400000	
Safety related data			
Performance level B10d according to EN/ISO 13489-1	rated load mechanical load	cycles	1400000
		cycles	15000000
EMC compatibility		yes	
AC coil operating			
Rated AC voltage at 50/60Hz	V	230	
AC operating voltage			
of 50/60Hz coil powered at 50Hz			
pick-up	min	%Us	80
	max	%Us	110
drop-out	min	%Us	20
	max	%Us	55
of 50/60Hz coil powered at 60Hz			
pick-up	min	%Us	85
	max	%Us	110
drop-out	min	%Us	40
	max	%Us	55
AC average coil consumption at 20°C			
of 50/60Hz coil powered at 50Hz	in-rush holding	VA	210
		VA	15
of 50/60Hz coil powered at 60Hz	in-rush holding	VA	195
		VA	13
of 60Hz coil powered at 60Hz	in-rush holding	VA	210
		VA	15
Dissipation at holding ≤20°C 50Hz	W	5	

Max cycles frequency

Mechanical operation cycles/h 3600

Operating times

Average time for Us control

in AC

Closing NO

min	ms	12
max	ms	28

Opening NO

min	ms	8
max	ms	22

in DC

Closing NO

min	ms	40
max	ms	85

Opening NO

min	ms	20
max	ms	55

UL technical data

Rated operational voltage AC (UL) V 600

Full-load current (FLA) for three-phase AC motor

at 480V	A	52
at 600V	A	41

Yielded mechanical performance

for single-phase AC motor

110/120V	HP	5
230V	HP	10

for three-phase AC motor

200/208V	HP	15
220/240V	HP	20
460/480V	HP	40
575/600V	HP	40

General USE

Contactor

AC current	A	90
------------	---	----

Short-circuit protection fuse, 600V

High fault

Short circuit current	kA	100
Fuse rating	A	150
Fuse class		J

Standard fault

Short circuit current	kA	5
Fuse rating	A	150
Fuse class		RK5

Ambient conditions

Temperature

Operating temperature

min	°C	-50
max	°C	70

Storage temperature

min	°C	-60
max	°C	80

Max altitude

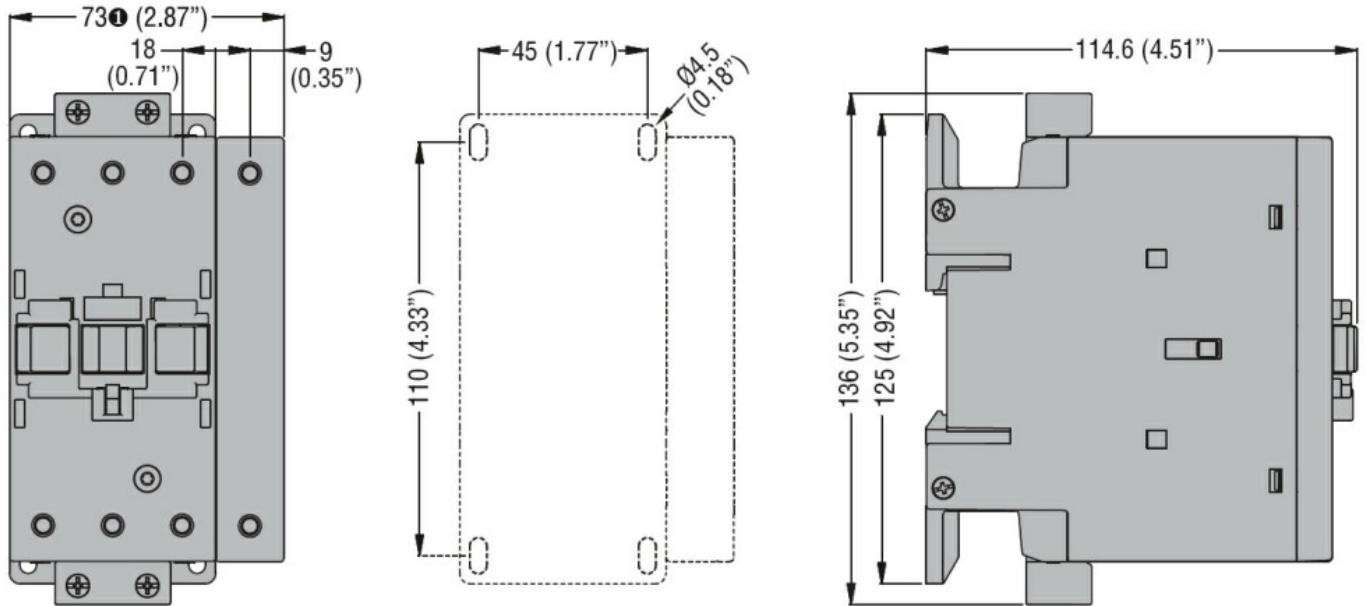
m	3000
---	------

Resistance & Protection

Pollution degree

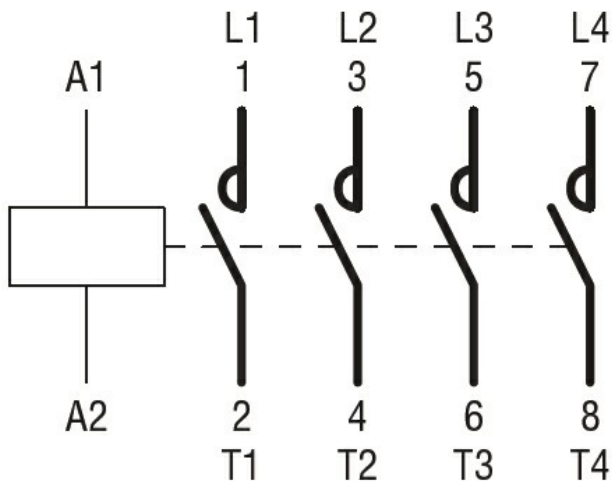
3

Dimensions



① BF80T2 82mm/3.23"

Wiring diagrams



Certifications and compliance

Compliance

CSA C22.2 n° 60947-1
CSA C22.2 n° 60947-4-1
IEC/EN 60335-2-89
IEC/EN/BS 60947-1
IEC/EN/BS 60947-4-1
UL 60947-1
UL 60947-4-1

Certificates

CCC
CSA C22.2 n. 60335-2-40:22 LZGH A2L
CSA C22.2 No. 60335-2-89:21 LZGH A2L
cULus

UL 60335-2-40 LZGH A2L

UL 60335-2-89 LZGH A2L

ETIM classification

ETIM 8.0

EC000066 -
Power contactor,
AC switching