



Electrical features

Maximum operating current ($\leq 440V$) A 160

Components

Contactor standard supplied	BF9500A / BF9500A / BF6500A
Thermal relay standard supplied	No
Thermal relay to purchase separately	RF110
Auxiliary contact standard supplied	BFX1020 / BFX1011 / BFX1011

Contact characteristics

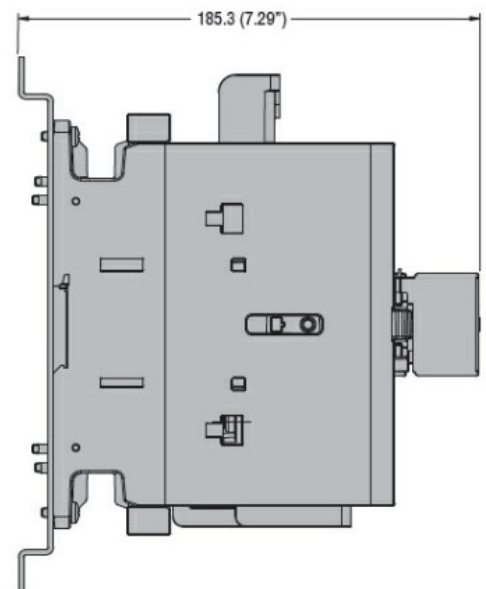
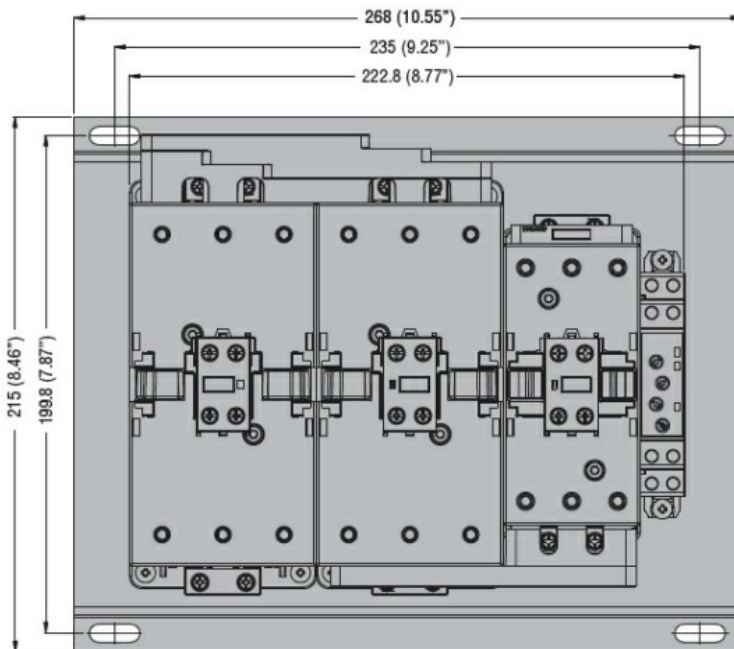
IEC standard motor powers

230V	kW	45
400V	kW	90
440V	kW	90
500V	kW	110

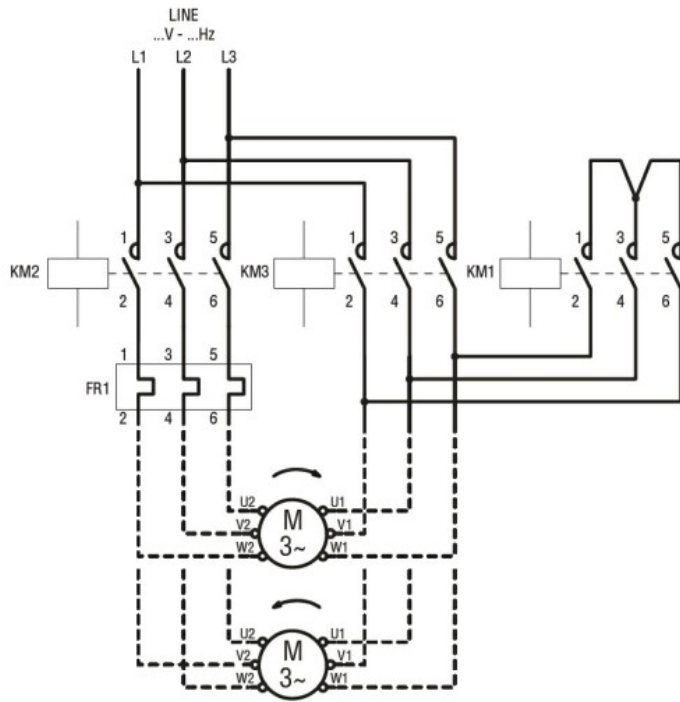
Mechanical features

Weight g 6900

Dimensions



Wiring diagrams



Certifications and compliance

Compliance

IEC/EN 60947-1
IEC/EN 60947-4-1

Certificates

/

ETIM classification

ETIM 8.0

EC001037 -
Motor
starter/Motor
starter
combination