



Electrical features

Maximum operating current ($\leq 440V$) A 115

Contact characteristics

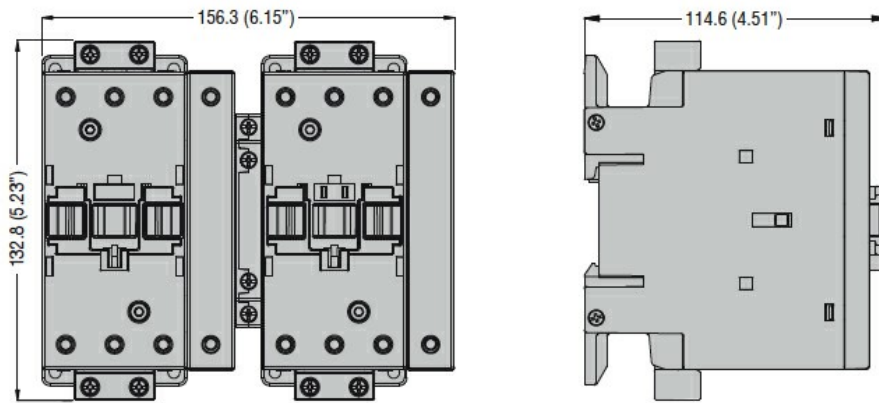
Operational current Ie

	AC-1 ($\leq 40^\circ C$)	A	115
	AC-1 ($\leq 55^\circ C$)	A	95
	AC-1 ($\leq 60^\circ C$)	A	80

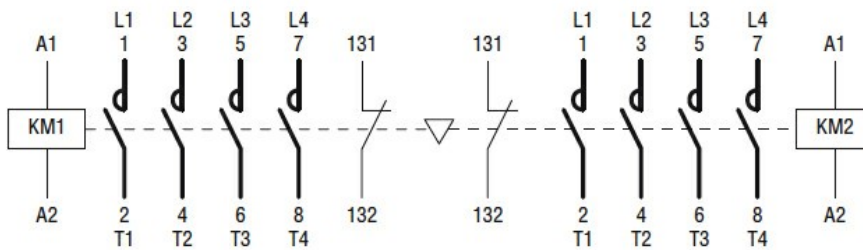
Mechanical features

Terminals type	Screw
Fixing	Side mount
Weight	g 2532

Dimensions



Wiring diagrams



ETIM classification

ETIM 8.0

EC000010 -
Combination of
contactors