



Contact characteristics

Number of poles	Nr.	3
Rated insulation voltage U_i IEC/EN	V	1000
Rated impulse withstand voltage U_{imp}	kV	8
Operational frequency	min	Hz 25
	max	Hz 400
IEC Conventional free air thermal current $I_{th} \leq 40^\circ\text{C}$	A	115
Operational current I_e	AC-1 ($\leq 55^\circ\text{C}$)	A 130
IEC max current I_e in DC1 with L/R $\leq 1\text{ms}$ with 3 poles in series	400V	A 100
	600V	A 75
	800V	A 45
	1000V	A 35
Short-time allowable current for 10s (IEC/EN60947-1)	A	640
Protection fuse	gG (IEC)	A 125
	aM (IEC)	A 80
Resistance per pole (average value)	m Ω	0.6
Power dissipation per pole (average value)	I_{th}	W 7.9
Tightening torque for terminals	min	Nm 4
	max	Nm 5
	min	I_{bin} 2.95
	max	I_{bin} 3.69
Tightening torque for coil terminal	min	Nm 0.8
	max	Nm 1
	min	I_{bin} 0.8
	max	I_{bin} 0.74
Max number of wires simultaneously connectable	Nr.	2
Conductor section	AWG/Kcmil	
	max	2
Flexible w/o lug conductor section	min	mm ² 1.5
	max	mm ² 35
Flexible c/w lug conductor section	min	mm ² 1.5
	max	mm ² 35
Power terminal protection according to IEC/EN 60529		IP20 front

Mechanical features

Operating position

	normal allowable		Vertical plan ±30°
Fixing			Screw / DIN rail 35mm
Weight		g	1240
Operations			
Mechanical life		cycles	15000000
Safety related data			
Performance level B10d according to EN/ISO 13489-1		mechanical load	cycles 15000000
EMC compatibility			yes
AC coil operating			
Rated AC voltage at 60Hz		V	220
AC operating voltage			
of 60Hz coil powered at 60Hz			
pick-up		min %Us	80
		max %Us	110
drop-out		min %Us	20
		max %Us	55
AC average coil consumption at 20°C			
of 60Hz coil powered at 60Hz		in-rush holding	VA 210 VA 15
Dissipation at holding ≤20°C 50Hz		W	5
Max cycles frequency			
Mechanical operation		cycles/h	3600
Operating times			
Average time for Us control			
in AC			
Closing NO		min ms	12
		max ms	28
Opening NO		min ms	8
		max ms	22
in DC			
Closing NO		min ms	40
		max ms	85
Opening NO		min ms	20
		max ms	55
UL technical data			
Rated operational voltage AC (UL)		V	600
General USE			
Contactor		AC current	A 115
4 poles in series DC1		600V	A 100
Ambient conditions			
Temperature			
Operating temperature			

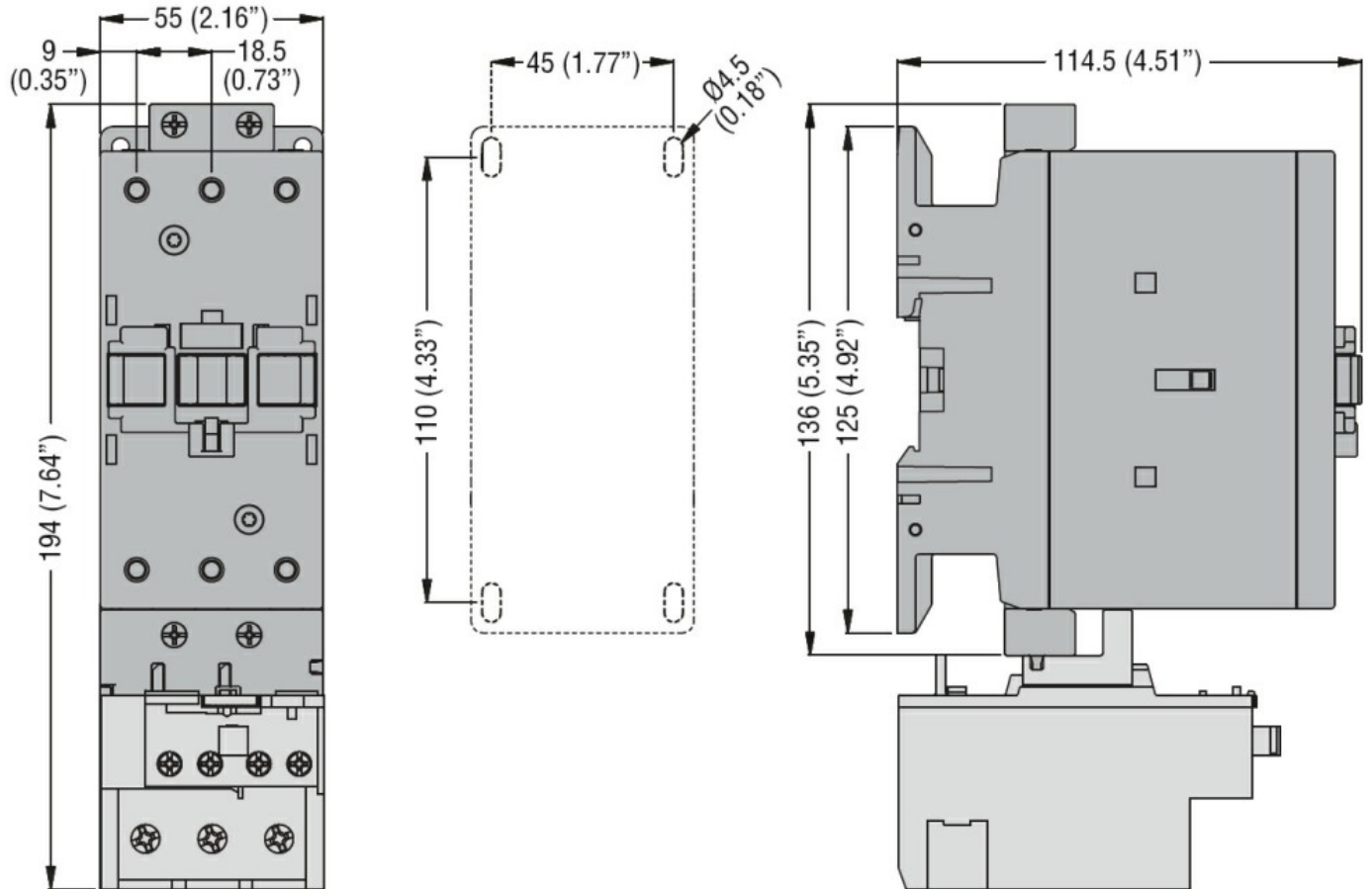
Storage temperature	min	°C	-50
	max	°C	70
Max altitude	min	°C	-60
	max	°C	80
		m	3000

Resistance & Protection

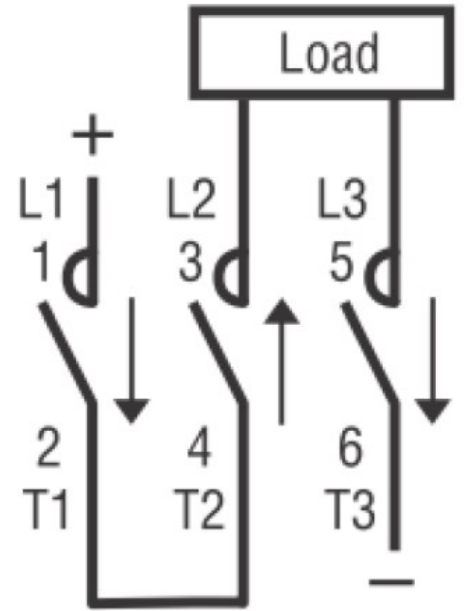
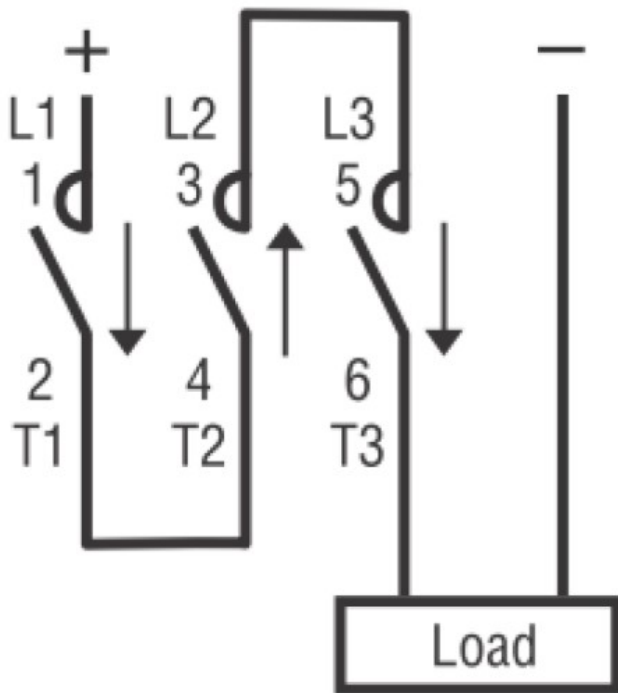
Pollution degree

3

Dimensions



Wiring diagrams



Certifications and compliance

Compliance

CSA C22.2 n° 60947-1

CSA C22.2 n° 60947-4-1

IEC/EN/BS 60947-1

IEC/EN/BS 60947-4-1

UL 60947-1

UL 60947-4-1

ETIM classification

ETIM 8.0

EC002552 -
 Power contactor,
 DC switching