



### Contact characteristics

|  |            |                 |      |
|--|------------|-----------------|------|
| Number of poles  | Nr.        | 3               |      |
| Rated insulation voltage $U_i$ IEC/EN                                    | V          | 690             |      |
| Rated impulse withstand voltage $U_{imp}$                                | kV         | 6               |      |
| Operational frequency  | min        | Hz              | 25   |
|  | max        | Hz              | 400  |
| IEC Conventional free air thermal current $I_{th} \leq 40^\circ\text{C}$ | A          | 28              |      |
| Rated operational power AC-6b ( $T \leq 40^\circ\text{C}$ )              | 230V       | kvar            | 7    |
|  | 400V       | kvar            | 12.5 |
|  | 440...480V | kvar            | 14   |
|  | 690V       | kvar            | 16   |
| Short-time allowable current for 10s (IEC/EN60947-1)                     | A          | 150             |      |
| Protection fuse  | gG (IEC)   | A               | 25   |
|  |            | A               | 120  |
| Making capacity (RMS value)  |            |                 |      |
| Breaking capacity at voltage   | 440V       | A               | 96   |
|  | 500V       | A               | 96   |
|  | 690V       | A               | 94   |
| Resistance per pole (average value)                                      |            | m $\Omega$      | 2.5  |
| Power dissipation per pole (average value)                               | lth        | W               | 2    |
|  |            |                 |      |
| Tightening torque for terminals  | min        | Nm              | 1.5  |
|  | max        | Nm              | 1.8  |
|  | min        | lbin            | 1.1  |
|  | max        | lbin            | 1.5  |
| Tightening torque for coil terminal                                      | min        | Nm              | 0.8  |
|  | max        | Nm              | 1    |
|  | min        | lbin            | 0.8  |
|  | max        | lbin            | 0.74 |
| Max number of wires simultaneously connectable                           | Nr.        | 2               |      |
| Conductor section  | AWG/Kcmil  |                 |      |
|  |            | max             | 10   |
| Flexible w/o lug conductor section                                       | min        | mm <sup>2</sup> | 1    |
|  | max        | mm <sup>2</sup> | 6    |
| Flexible c/w lug conductor section                                       | min        | mm <sup>2</sup> | 1    |
|  | max        | mm <sup>2</sup> | 4    |
| Flexible with insulated spade lug conductor section                      |            |                 |      |

|   |                              |                 |                          |
|---|------------------------------|-----------------|--------------------------|
|   | min                          | mm <sup>2</sup> | 1                        |
|   | max                          | mm <sup>2</sup> | 4                        |
| Power terminal protection according to IEC/EN 60529 |                              |                 | IP20 when properly wired |
| <b>Mechanical features</b>                          |                              |                 |                          |
| Operating position                                  | normal allowable             |                 | Vertical plan ±30°       |
| Fixing  |                              |                 | Screw / DIN rail 35mm    |
| Weight  |                              | g               | 406                      |
| <b>Auxiliary contact characteristics</b>            |                              |                 |                          |
| Thermal current I <sub>th</sub>                     |                              | A               | 10                       |
| IEC/EN 60947-5-1 designation                        |                              |                 | A600 - P600              |
| Operating current AC15                              | 230V                         | A               | 3                        |
|   | 400V                         | A               | 1.9                      |
|   | 500V                         | A               | 1.4                      |
| Operating current DC12                              | 110V                         | A               | 5.7                      |
| Operating current DC13                              | 24V                          | A               | 5.7                      |
|   | 48V                          | A               | 2.9                      |
|   | 60V                          | A               | 2.3                      |
|   | 110V                         | A               | 1.25                     |
|   | 125V                         | A               | 1.1                      |
|   | 220V                         | A               | 0.6                      |
|   | 600V                         | A               | 0.1                      |
| <b>Operations</b>                                   |                              |                 |                          |
| Mechanical life                                     |                              | cycles          | 20000000                 |
| Electrical life                                     |                              | cycles          | 400000                   |
| <b>Safety related data</b>                          |                              |                 |                          |
| Performance level B10d according to EN/ISO 13489-1  | rated load mechanical load   | cycles          | 400000                   |
|   |                              | cycles          | 20000000                 |
| EMC compatibility                                   |                              |                 | yes                      |
| <b>AC coil operating</b>                            |                              |                 |                          |
| Rated AC voltage at 60Hz                            |                              | V               | 220                      |
| AC operating voltage                                |                              |                 |                          |
|   | of 60Hz coil powered at 60Hz |                 |                          |
|   | pick-up                      | min             | %Us 80                   |
|   |                              | max             | %Us 110                  |
|   | drop-out                     | min             | %Us 20                   |
|   |                              | max             | %Us 55                   |
| AC average coil consumption at 20°C                 |                              |                 |                          |
|   | of 60Hz coil powered at 60Hz |                 |                          |
|   | in-rush                      | VA              | 75                       |
|   | holding                      | VA              | 9                        |
| Dissipation at holding ≤20°C 50Hz                   |                              | W               | 2.5                      |
| <b>Max cycles frequency</b>                         |                              |                 |                          |
| Mechanical operation                                |                              | cycles/h        | 3600                     |
| <b>Operating times</b>                              |                              |                 |                          |

Average time for Us control  
in AC

|            |     |    |    |
|------------|-----|----|----|
| Closing NO | min | ms | 8  |
|            | max | ms | 24 |
| Opening NO | min | ms | 10 |
|            | max | ms | 20 |
| Closing NC | min | ms | 14 |
|            | max | ms | 28 |

**UL technical data**

Rated operational voltage AC (UL) V 600

General USE

Contactor

AC current A 28

Auxiliary contacts

AC voltage V 600  
AC current A 10  
DC voltage V 250  
DC current A 1

Contact rating of auxiliary contacts according to UL A600 - P600

**Ambient conditions**

Temperature

Operating temperature

min °C -50  
max °C 70

Storage temperature

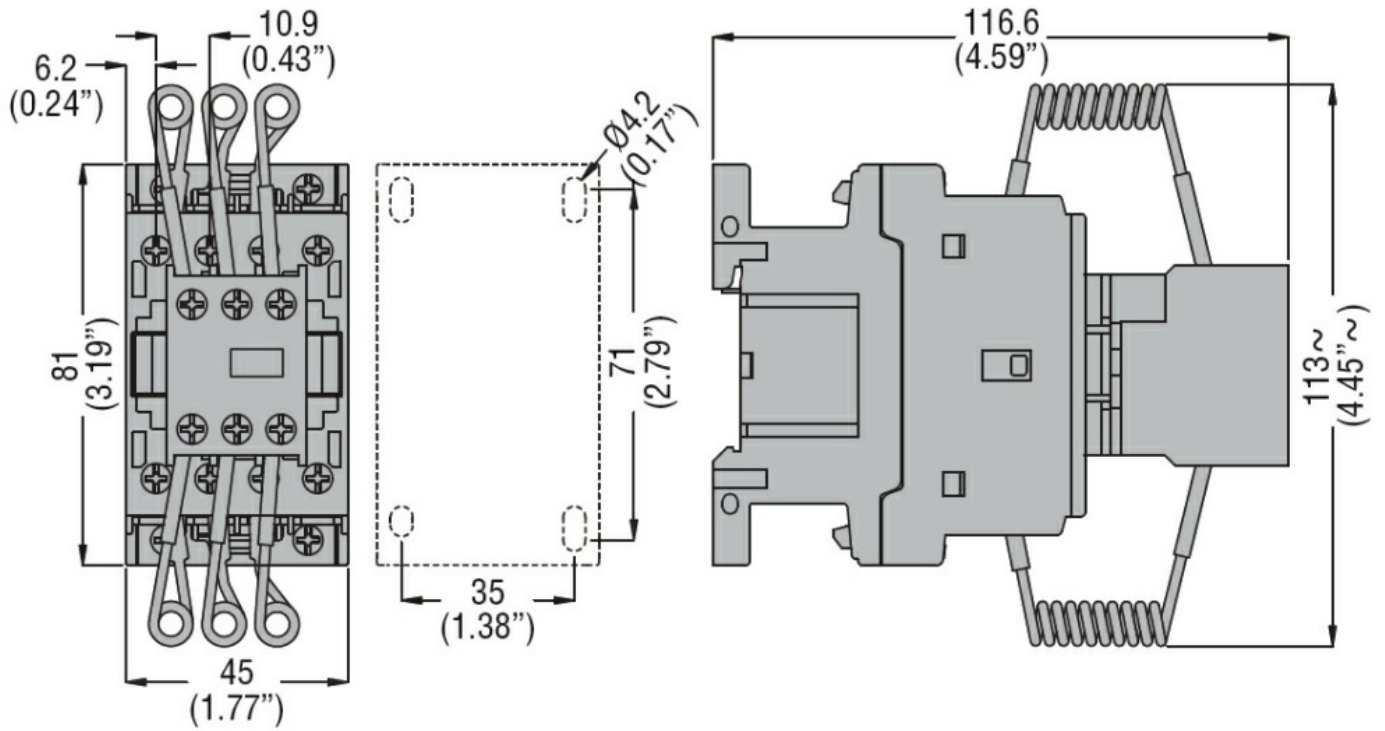
min °C -60  
max °C 80

Max altitude m 3000

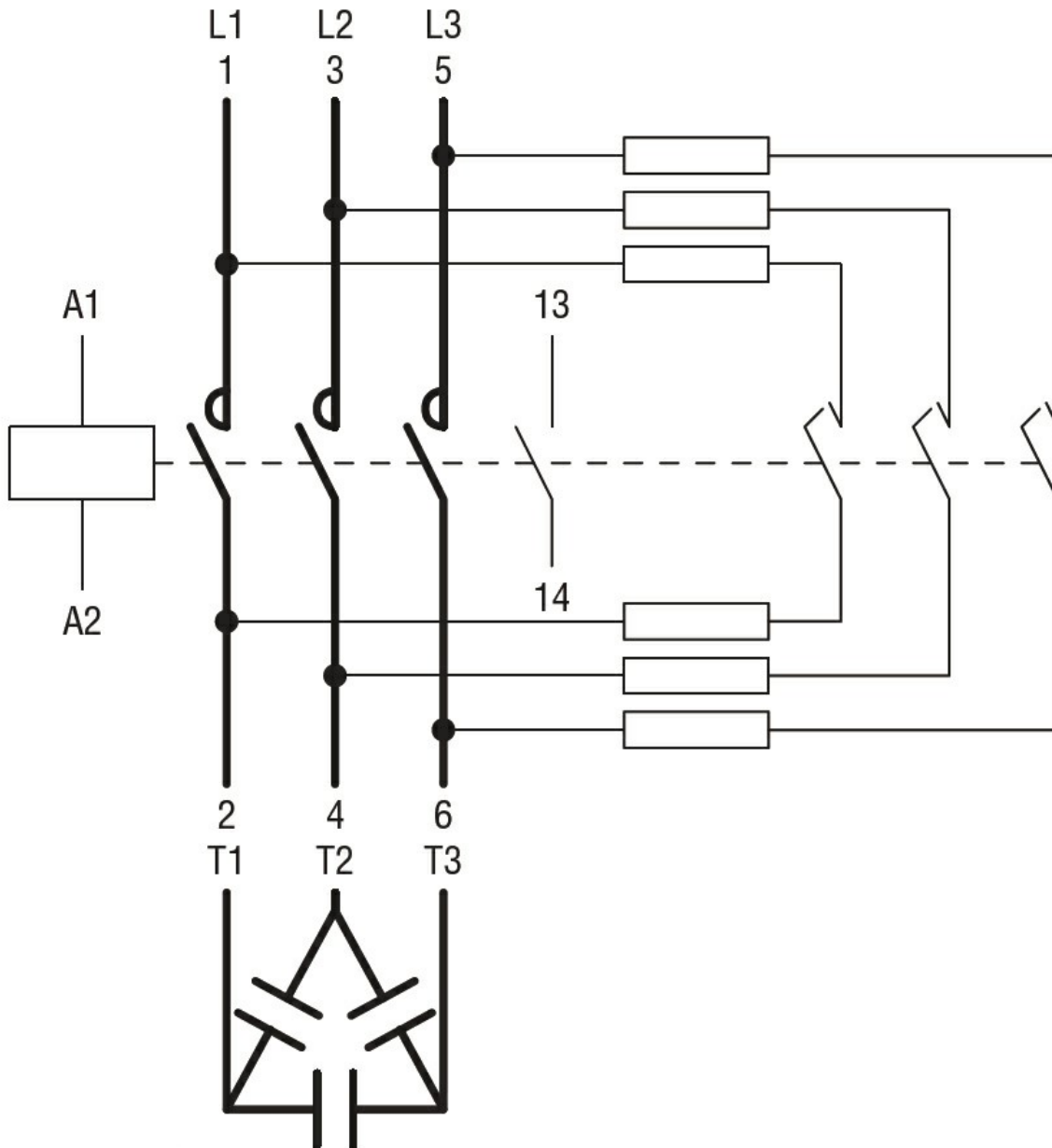
**Resistance & Protection**

Pollution degree 3

**Dimensions**



Wiring diagrams



### Certifications and compliance

#### Compliance

CSA C22.2 n° 60947-1

CSA C22.2 n° 60947-4-1

IEC/EN/BS 60947-1

IEC/EN/BS 60947-4-1

UL 60947-1

UL 60947-4-1

#### Certificates

CCC

cULus

EAC

### ETIM classification

ETIM 8.0

EC001079 -  
Capacitor  
contactor