



### Contact characteristics

Number of poles	Nr.	3	
Rated insulation voltage $U_i$ IEC/EN	V	690	
Rated impulse withstand voltage $U_{imp}$	kV	6	
Operational frequency	min	Hz	25
	max	Hz	400
IEC Conventional free air thermal current $I_{th} \leq 40^\circ\text{C}$	A	45	
Rated operational power AC-6b ( $T \leq 40^\circ\text{C}$ )	230V	kvar	11
	400V	kvar	20
	440...480V	kvar	22
	690V	kvar	25
Short-time allowable current for 10s (IEC/EN60947-1)	A	210	
Protection fuse	gG (IEC)	A	40
		A	260
Making capacity (RMS value)			
Breaking capacity at voltage	440V	A	208
	500V	A	184
	690V	A	168
Resistance per pole (average value)	m $\Omega$	2	
Power dissipation per pole (average value)	lth	W	4
Tightening torque for terminals	min	Nm	2.5
	max	Nm	3
	min	lbin	1.8
	max	lbin	2.2
Tightening torque for coil terminal	min	Nm	0.8
	max	Nm	1
	min	lbin	0.59
	max	lbin	0.74
Max number of wires simultaneously connectable	Nr.	2	
Conductor section	AWG/Kcmil		
	max		6
Flexible w/o lug conductor section	min	mm <sup>2</sup>	2.5
	max	mm <sup>2</sup>	16
Flexible c/w lug conductor section	min	mm <sup>2</sup>	1
	max	mm <sup>2</sup>	10
Flexible with insulated spade lug conductor section			

	min	mm <sup>2</sup>	1
	max	mm <sup>2</sup>	10
Power terminal protection according to IEC/EN 60529			IP20 when properly wired
<b>Mechanical features</b>			
Operating position	normal allowable		Vertical plan ±30°
Fixing			Screw / DIN rail 35mm
Weight		g	400
<b>Operations</b>			
Mechanical life		cycles	20000000
Electrical life		cycles	1600000
<b>Safety related data</b>			
Performance level B10d according to EN/ISO 13489-1	rated load mechanical load	cycles	1600000
		cycles	20000000
EMC compatibility			yes
<b>AC coil operating</b>			
Rated AC voltage at 50/60Hz		V	400
AC operating voltage			
of 50/60Hz coil powered at 50Hz			
pick-up	min	%Us	80
	max	%Us	110
drop-out	min	%Us	20
	max	%Us	55
of 50/60Hz coil powered at 60Hz			
pick-up	min	%Us	85
	max	%Us	110
drop-out	min	%Us	20
	max	%Us	55
AC average coil consumption at 20°C			
of 50/60Hz coil powered at 50Hz	in-rush holding	VA	75
		VA	9
of 50/60Hz coil powered at 60Hz	in-rush holding	VA	70
		VA	7
of 60Hz coil powered at 60Hz	in-rush holding	VA	75
		VA	9
Dissipation at holding ≤20°C 50Hz		W	2.5
<b>Max cycles frequency</b>			
Mechanical operation		cycles/h	3600
<b>Operating times</b>			
Average time for Us control in AC			
Closing NO	min	ms	8

Opening NO	max	ms	24
	min	ms	5
Closing NC	max	ms	15
	min	ms	9
	max	ms	20

**UL technical data**

Rated operational voltage AC (UL)	V	600
-----------------------------------	---	-----

General USE

Contactor

AC current	A	45
------------	---	----

**Ambient conditions**

Temperature

Operating temperature

min	°C	-50
max	°C	70

Storage temperature

min	°C	-60
max	°C	80

Max altitude

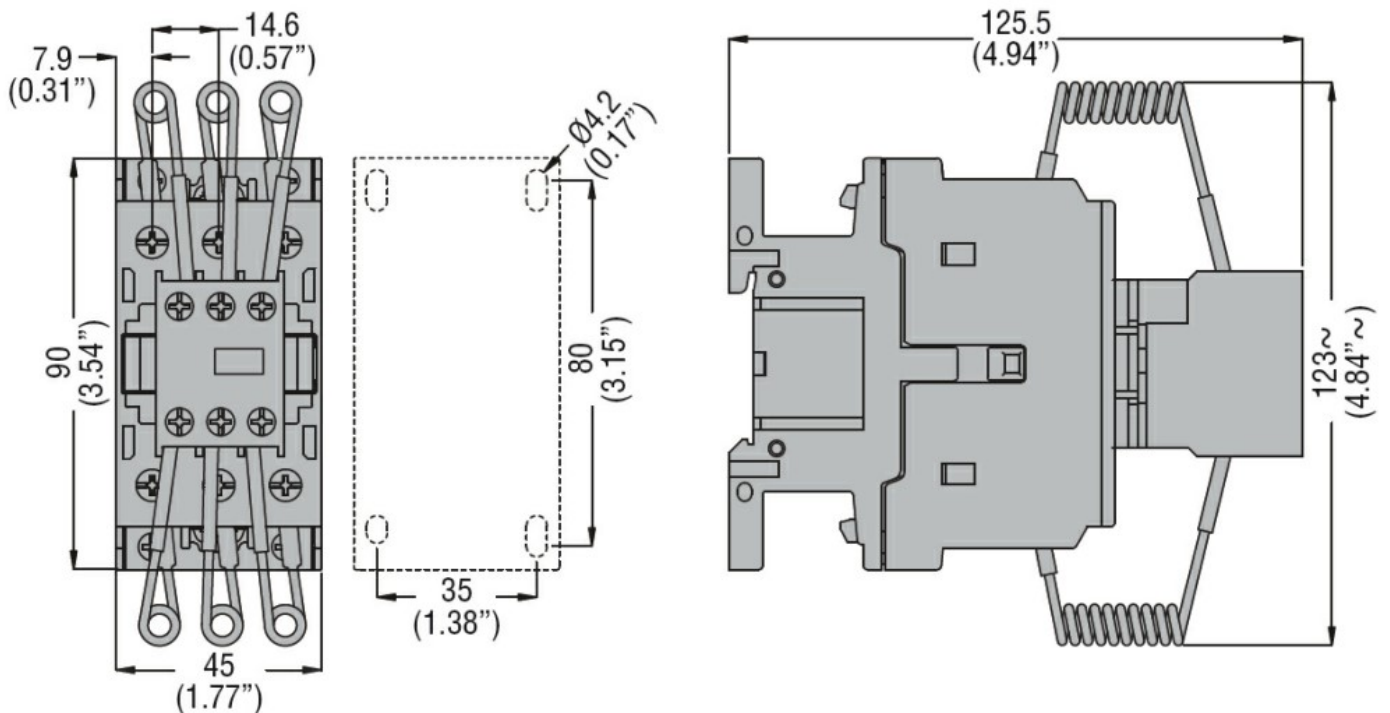
m	3000
---	------

**Resistance & Protection**

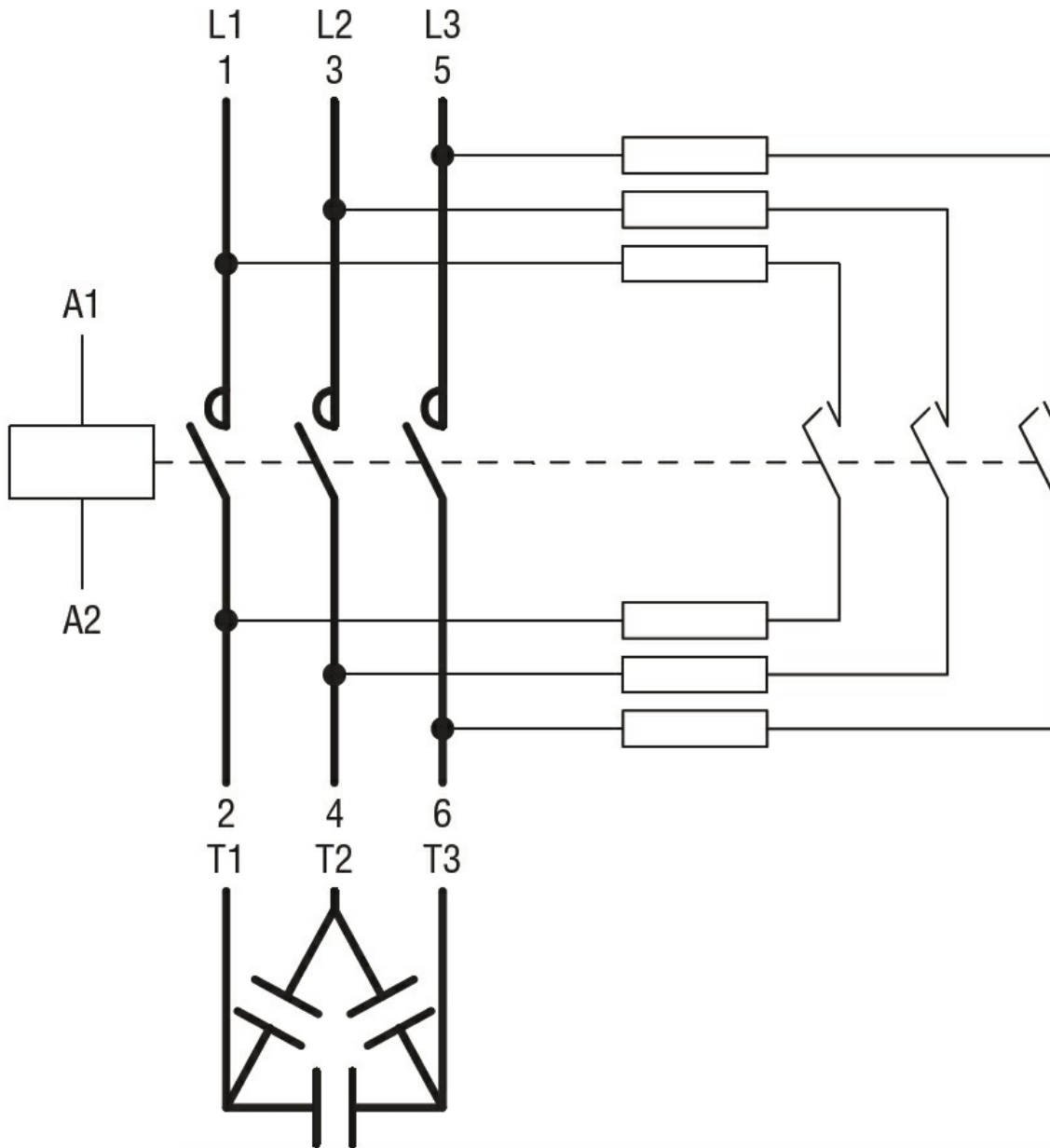
Pollution degree

3

**Dimensions**



**Wiring diagrams**



**Certifications and compliance**

Compliance

- CSA C22.2 n° 60947-1
- CSA C22.2 n° 60947-4-1
- IEC/EN/BS 60947-1
- IEC/EN/BS 60947-4-1
- UL 60947-1
- UL 60947-4-1

Certificates

- CCC
- cULus
- EAC

**ETIM classification**

ETIM 8.0

EC001079 -  
Capacitor  
contactor