



Contact characteristics

Number of poles	Nr.	3	
Rated insulation voltage U_i IEC/EN	V	690	
Rated impulse withstand voltage U_{imp}	kV	8	
Operational frequency	min	Hz	25
	max	Hz	400
IEC Conventional free air thermal current $I_{th} \leq 40^\circ\text{C}$	A	90	
Rated operational power AC-6b ($T \leq 40^\circ\text{C}$)	230V	kvar	22
	400V	kvar	40
	440...480V	kvar	41
	690V	kvar	46
Short-time allowable current for 10s (IEC/EN60947-1)	A	400	
Protection fuse	gG (IEC)	A	80
		A	500
Making capacity (RMS value)			
Breaking capacity at voltage	440V	A	400
	500V	A	352
	690V	A	312
Resistance per pole (average value)		m Ω	0.8
Power dissipation per pole (average value)	lth	W	6.5
Tightening torque for terminals	min	Nm	4
	max	Nm	5
	min	lbin	2.95
	max	lbin	3.69
Tightening torque for coil terminal	min	Nm	0.8
	max	Nm	1
	min	lbin	0.8
	max	lbin	0.74
Max number of wires simultaneously connectable	Nr.	2	
Conductor section	AWG/Kcmil		
		max	2
Flexible w/o lug conductor section	min	mm ²	1.5
	max	mm ²	35
Flexible c/w lug conductor section	min	mm ²	1.5
	max	mm ²	35
Power terminal protection according to IEC/EN 60529		IP20 front	

Mechanical features

Operating position	normal allowable	Vertical plan ±30°
Fixing		Screw / DIN rail 35mm
Weight	g	1090

Operations

Mechanical life	cycles	15000000
Electrical life	cycles	400000

Safety related data

Performance level B10d according to EN/ISO 13489-1	rated load mechanical load	cycles	400000
		cycles	15000000
EMC compatibility			yes

AC coil operating

Rated AC voltage at 50/60Hz	V	24
AC operating voltage		
of 50/60Hz coil powered at 50Hz		
pick-up	min %Us	80
	max %Us	110
drop-out	min %Us	20
	max %Us	55
of 50/60Hz coil powered at 60Hz		
pick-up	min %Us	85
	max %Us	110
drop-out	min %Us	20
	max %Us	55

AC average coil consumption at 20°C

of 50/60Hz coil powered at 50Hz	in-rush	VA	210
	holding	VA	15
of 50/60Hz coil powered at 60Hz	in-rush	VA	195
	holding	VA	13
of 60Hz coil powered at 60Hz	in-rush	VA	210
	holding	VA	15

Dissipation at holding ≤20°C 50Hz

W 5

Max cycles frequency

Mechanical operation	cycles/h	3600
----------------------	----------	------

Operating times

Average time for Us control in AC				
Closing NO	min	ms	12	
	max	ms	28	
Opening NO	min	ms	8	
	max	ms	22	

in DC

Closing NO

min	ms	40
max	ms	85

Opening NO

min	ms	20
max	ms	55

UL technical data

Rated operational voltage AC (UL) V 600

General USE

Contactor

AC current A 90

Ambient conditions

Temperature

Operating temperature

min	°C	-50
max	°C	70

Storage temperature

min	°C	-60
max	°C	80

Max altitude

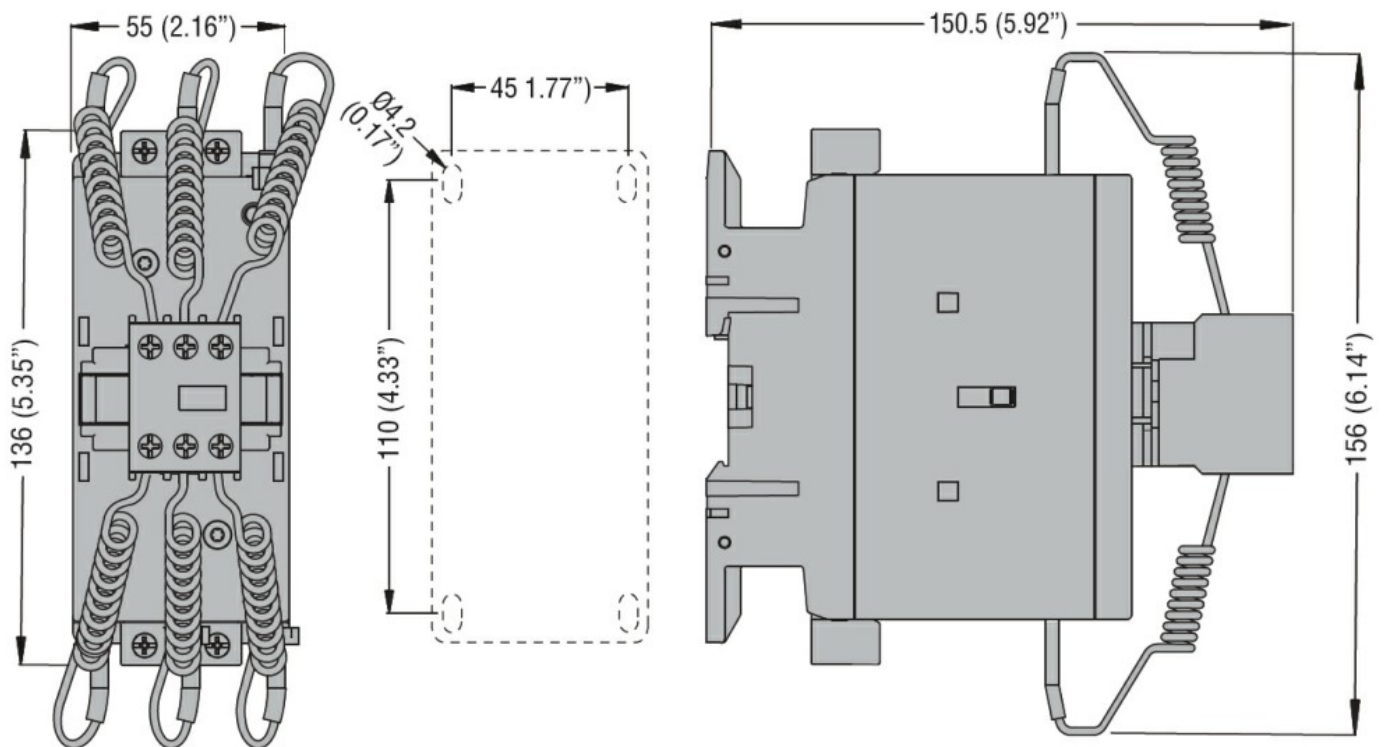
m 3000

Resistance & Protection

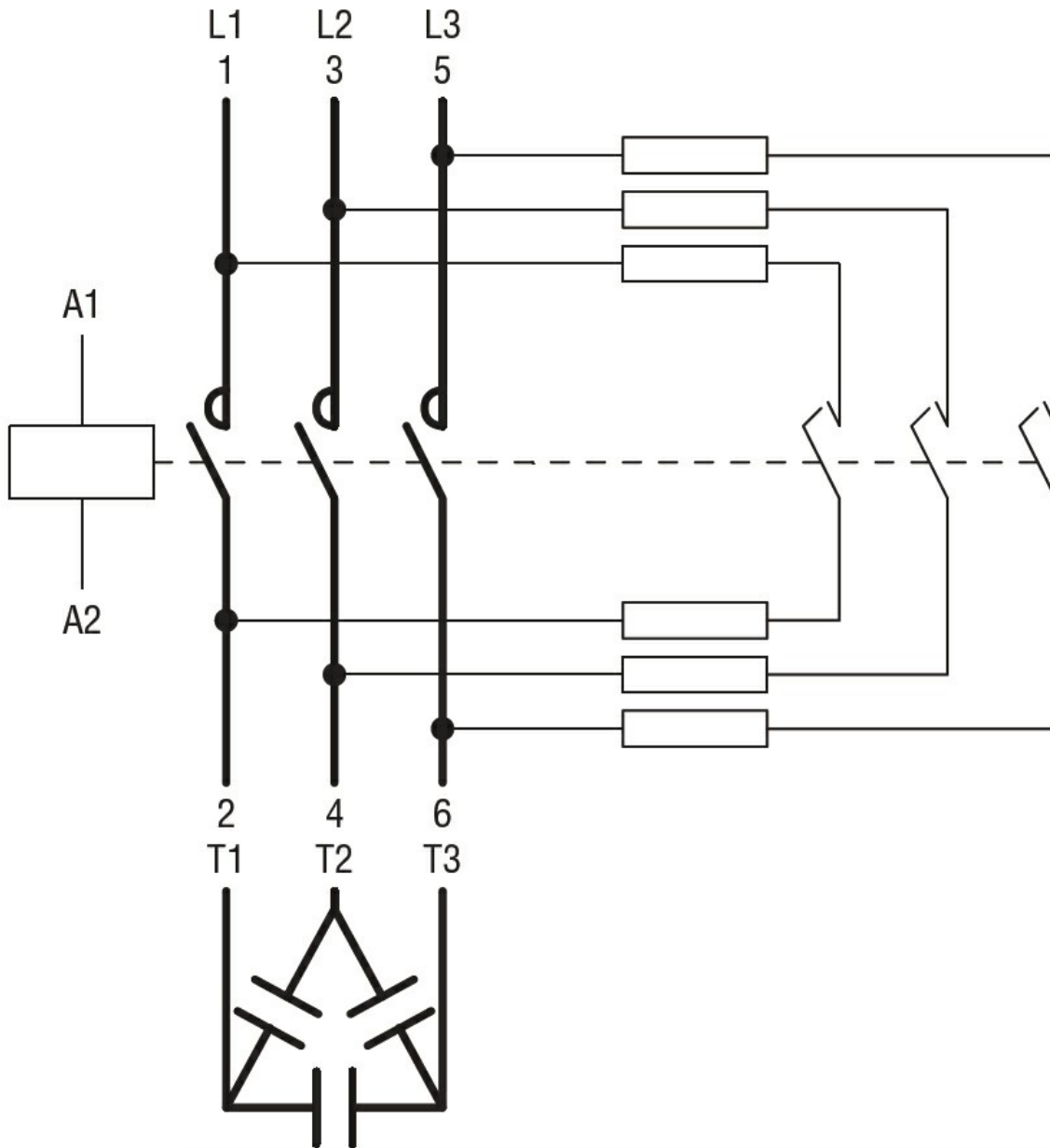
Pollution degree

3

Dimensions



Wiring diagrams



Certifications and compliance

Compliance

- CSA C22.2 n° 60947-1

- CSA C22.2 n° 60947-4-1

- IEC/EN/BS 60947-1

- IEC/EN/BS 60947-4-1

- UL 60947-1

- UL 60947-4-1

Certificates

- CCC

- cULus

ETIM classification

ETIM 8.0

EC001079 -
Capacitor
contactor