



Contact characteristics			
Number of poles	Nr.		3
Rated insulation voltage $U_i$ IEC/EN	V		690
Rated impulse withstand voltage $U_{imp}$	kV		8
Operational frequency	min	Hz	25
	max	Hz	400
IEC Conventional free air thermal current $I_{th} \leq 40^\circ\text{C}$	A		100
Rated operational power AC-6b ( $T \leq 40^\circ\text{C}$ )	230V	kvar	26
	400V	kvar	45
	440...480V	kvar	50
	690V	kvar	56
Short-time allowable current for 10s (IEC/EN60947-1)	A		640
Protection fuse	gG (IEC)	A	100
		A	650
Making capacity (RMS value)			
Breaking capacity at voltage	440V	A	520
	500V	A	425
	690V	A	376
Resistance per pole (average value)	m $\Omega$		0.8
Power dissipation per pole (average value)	lth	W	8
Tightening torque for terminals	min	Nm	4
	max	Nm	5
	min	lbin	2.95
	max	lbin	3.69
Tightening torque for coil terminal	min	Nm	0.8
	max	Nm	1
	min	lbin	0.8
	max	lbin	0.74
Max number of wires simultaneously connectable	Nr.		2
Conductor section	AWG/Kcmil		
	max		2
Flexible w/o lug conductor section	min	mm <sup>2</sup>	1.5
	max	mm <sup>2</sup>	35
Flexible c/w lug conductor section	min	mm <sup>2</sup>	1.5
	max	mm <sup>2</sup>	35
Power terminal protection according to IEC/EN 60529			IP20 front

### Mechanical features

Operating position	normal allowable	Vertical plan ±30°
Fixing		Screw / DIN rail 35mm
Weight	g	1090

### Operations

Mechanical life	cycles	15000000
Electrical life	cycles	400000

### Safety related data

Performance level B10d according to EN/ISO 13489-1	rated load mechanical load	cycles	400000
		cycles	15000000
EMC compatibility			yes

### AC coil operating

Rated AC voltage at 60Hz	V	575
AC operating voltage		
of 60Hz coil powered at 60Hz		
pick-up	min	%Us 80
	max	%Us 110
drop-out	min	%Us 20
	max	%Us 55

AC average coil consumption at 20°C			
of 60Hz coil powered at 60Hz			
	in-rush holding	VA	210
		VA	15
Dissipation at holding ≤20°C 50Hz		W	5

### Max cycles frequency

Mechanical operation	cycles/h	3600
----------------------	----------	------

### Operating times

Average time for Us control				
in AC				
Closing NO	min	ms	12	
	max	ms	28	
Opening NO	min	ms	8	
	max	ms	22	
in DC				
Closing NO	min	ms	40	
	max	ms	85	
Opening NO	min	ms	20	
	max	ms	55	

### UL technical data

Rated operational voltage AC (UL)	V	600
General USE		
Contactor	AC current	A 100

### Ambient conditions

Temperature

Operating temperature

min	°C	-50
max	°C	70

Storage temperature

min	°C	-60
max	°C	80

Max altitude

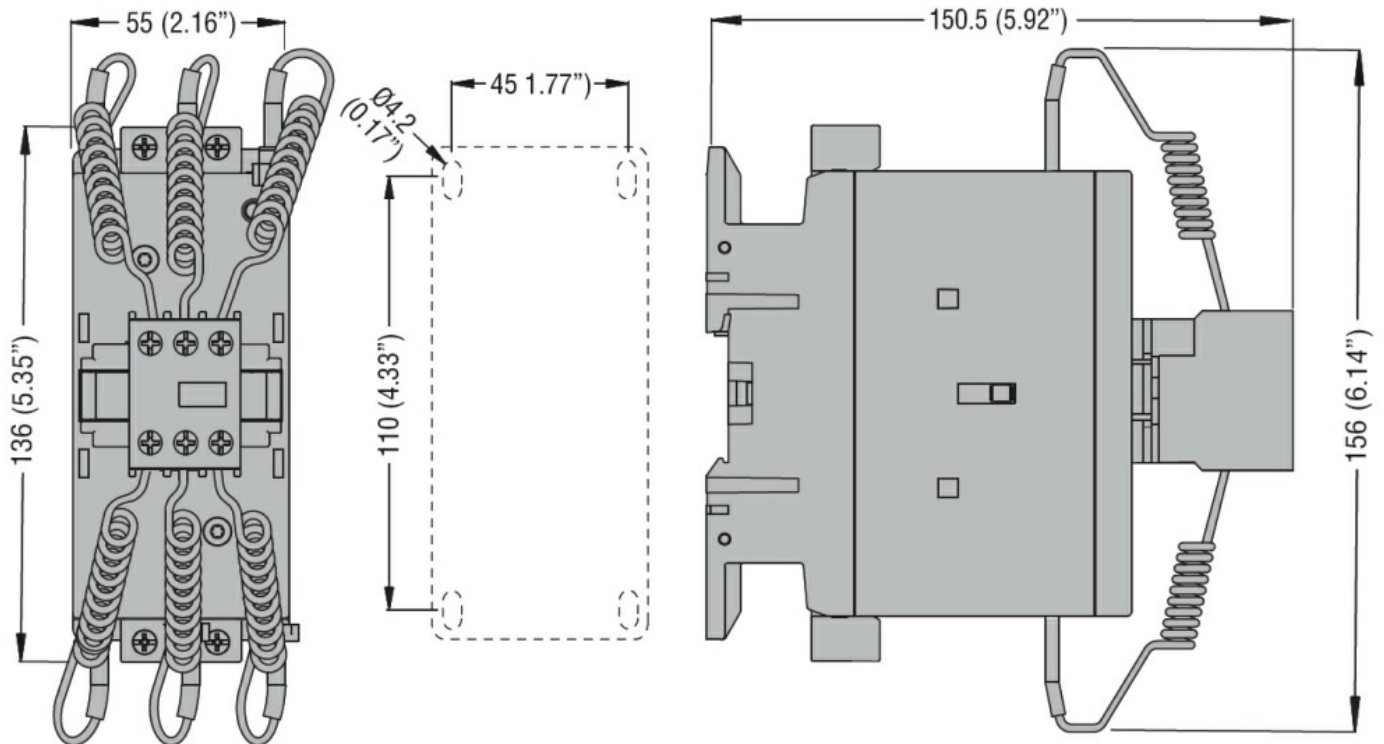
m	3000
---	------

Resistance & Protection

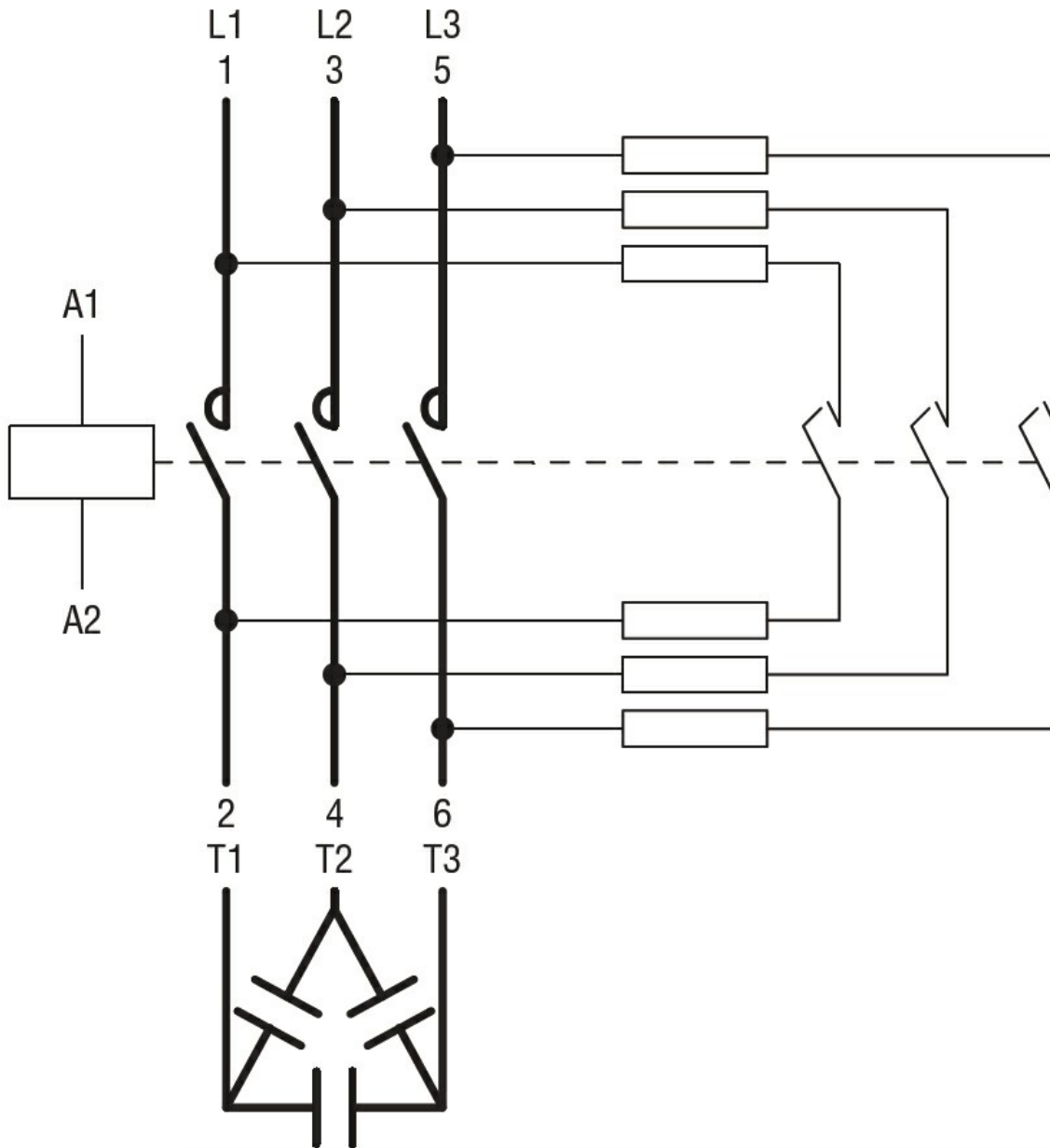
Pollution degree

3

Dimensions



Wiring diagrams



### Certifications and compliance

#### Compliance

CSA C22.2 n° 60947-1

CSA C22.2 n° 60947-4-1

IEC/EN/BS 60947-1

IEC/EN/BS 60947-4-1

UL 60947-1

UL 60947-4-1

#### Certificates

CCC

cULus

### ETIM classification

ETIM 8.0

EC001079 -  
Capacitor  
contactor