



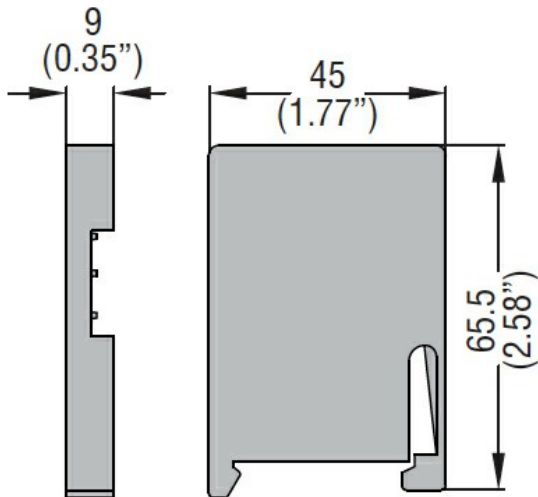
**Ambient conditions**

Operating temperature	min	°C	-5
Storage temperature	min	°C	-30
	max	°C	80

**Mechanical features**

Fixing	DIN rail 35mm		
Weight	g	13	

**Dimensions**



**Certifications and compliance**

Compliance	/
Certificates	/

**ETIM classification**

ETIM 8.0	EC002498 - Accessories/spare parts for low- voltage switch technology
----------	---