



Auxiliary supply

Rated auxiliary supply voltage U_s

AC

min	VAC	100
Max	VAC	415

DC

min	VDC	110
Max	VDC	250

Auxiliary operating range		90...484VAC / 93.5...300VDC
Auxiliary rated frequency	Hz	50/60 \pm 10%
Power consumption Max	VA	27 (with 4 EXP modules)
Power dissipation Max	W	10.5 (with 4 EXP modules), 2.5 (with no EXP modules)
Immunity time for microbreakings	ms	\geq 35ms (110VAC); \geq 80ms (220... 415VAC)

Voltage inputs

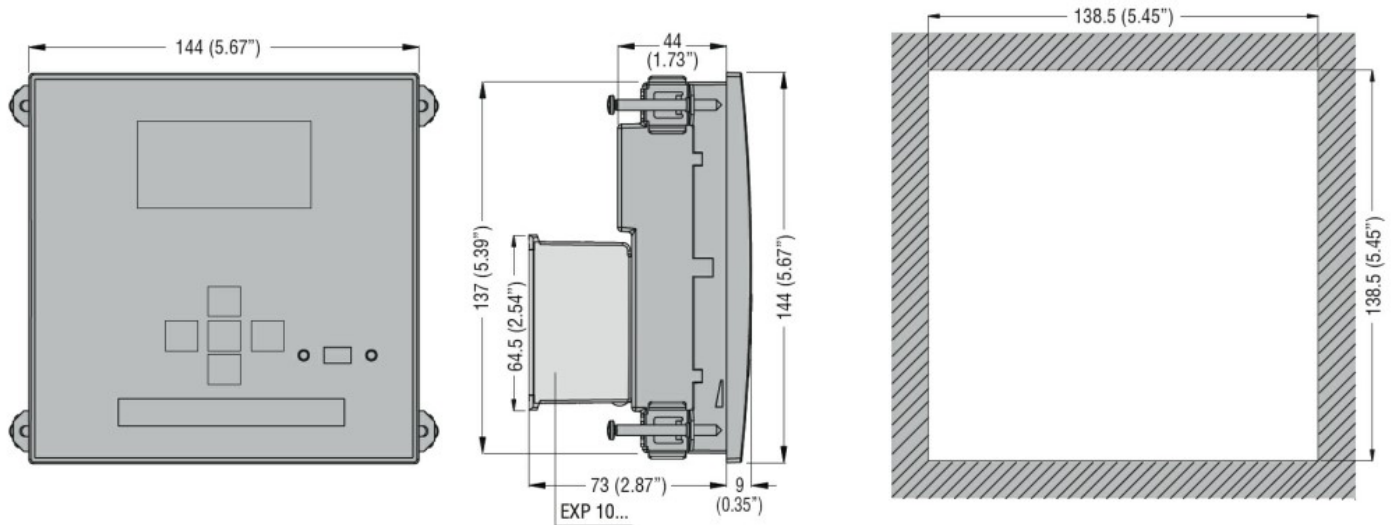
Rated voltage (U_e)	VAC	600VAC L-L (rated max)
Operating range		50...720VAC L-L (415VAC L-N)
Frequency range	Hz	45...65 Hz / 360...440 Hz
Type of measure		True RMS value
No-voltage release	ms	\geq 8
Measurement input impedance	k Ω	>1.10M Ω L-L, >0.55M Ω L-N
Type of connection		Single phase, two phase, three phase with or without neutral or balanced three phase system

Current inputs

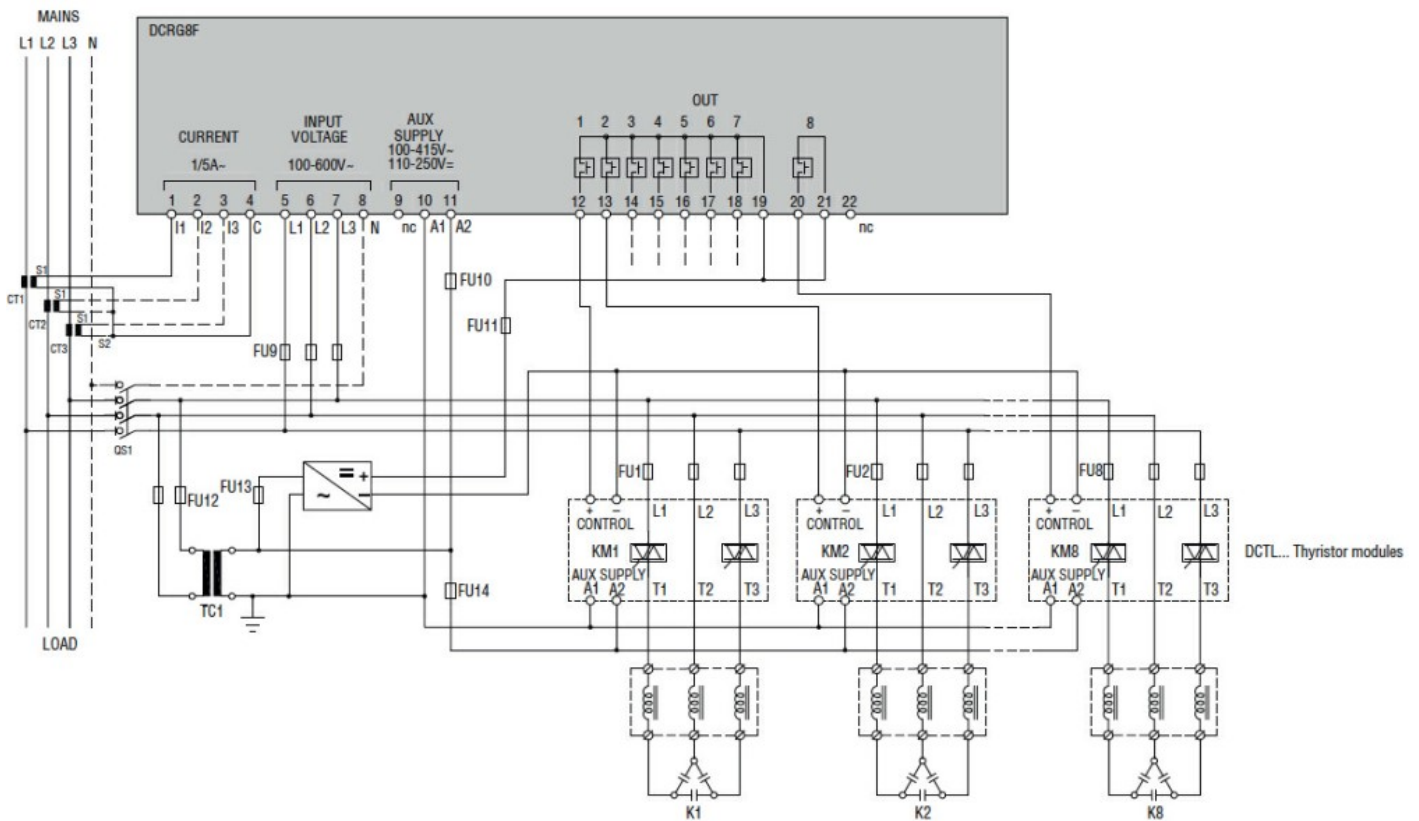
Number of current input	Nr.	3
Type of input		Shunt supplied by external current transformer (low voltage). Max 5A

Measurement range		0.025...6A~ for 5A scale; 0.025...1.2A~ for 1A scale
Measurement method		True RMS value
Constant overload	I _e	1.2 I _e
Overload peak	A	50A for 1s
Burden per phase	W	<0.6VA
Measurement data		
Type of voltage and current measurement		True RMS value
Power factor adjustment		0.5ind...0.5cap.
Type of temperature sensor		Internal + PT100 with EXP1004
Temperature measurement range	°C	0...+212
Relay outputs		
Number of relay output	Nr.	0 (up to 10 with EXP10 06 - EXP10 07)
UL/CSA and IEC/EN 60947-5-1 designation		B300
Static Outputs		
Number of static output		8 (up to 24 with EXP1001)
Rated current		120mA max 40VDC/30VAC
Insulations		
Rated insulation voltage U _i IEC/EN	V	600
Rated impulse withstand voltage U _{imp}	kV	9.5
Operating frequency withstand voltage	kV	5.2
Functions		
Automatic recognition of current flow direction		Yes
4-quadrant operation		Yes
Master-Slave function		Yes
Independent auxiliary supply input		Yes
Three-phase voltage control		Yes
Current inputs		3
Dynamic (FAST) power factor correction		Yes
Power factor correction by single phase		Yes
Possibility of connecting inductive steps		No
Possibility of use in medium voltage		Yes
Possibility of phase-neutral insertion on a three-phase system		Yes
Analog outputs		Yes
Input programmable as function or external temperature sensor		Yes
USB communication interface		Yes
RS232 communication interface		Yes
Opto-isolated RS485 communication interface		Yes
Ethernet communication interface		Yes
Opto-isolated Profibus-DP interface		Yes
GPRS/GSM modem		Yes
Optical port on front for the connection of USB devices		Yes
Optical port on front for the connection of Wi-Fi devices		Yes
Fast setting of current transformer		Yes
Compatible with Xpress configuration and remote control software		Yes
Compatible with Synergy and Synergy Cloud, supervision and energy management software		Yes

Compatible with Sam1 App	Yes
Calendar-clock with backup reserve power	Yes
Data logging memory	Yes
Event logging: alarms, setup changes, etc.	Yes
Customisable internal counters	Yes
Connections	
Type of terminal	Plug-in, removable
Conductor cross section	
	min mm ² 0.2
	Max mm ² 2.5
	min AWG 24AWG (18AWG according to UL/CSA)
	Max AWG 12
Tightening torque (Max)	
	Nm 0.56
	lbin 5lbin (4-5lbin according to UL/CSA)
Ambient conditions	
Temperature	
Operating temperature	
	min °C -20
	max °C +70
Storage temperature	
	min °C -30
	max °C +80
Relative humidity	% <80%
Maximum Pollution degree	2
Overvoltage category	3
Measurement category	III
Climatic sequence	Z/ABDM (IEC/EN 60068-2-61)
Shock resistance	15g (IEC/EN 60068-2-27)
Vibration resistance	0.7g (IEC/EN 60068-2-6)
Housing	
Execution	Flush mount
Material	Polycarbonate
Mounting	Flush-mount 144x144mm (5.67x5.67")
Degree of protection	IP65 on front, IP20 terminals
Dimensions (W x H x D)	mm 144 x 144 x 53.2
Weight	g 980
Dimensions	



Wiring diagrams



Certifications and compliance

Compliance

CSA C22.2 N°14
IEC/EN 61000-6-2
IEC/EN 61000-6-4
IEC/EN 61010-1
UL508

Certificates

cULus
EAC
RCM

ETIM classification

ETIM 8.0

EC001443 -
Effective power
(cos phi)
monitoring relay