



General characteristics

Rated voltage	V	400
Operating voltage range		340...440
Rated frequency	Hz	50/60
Operating frequency range	Hz	45...65
Rated current (Ie)	A	72
Step power at	400VAC	kvar 50
Peak inverse voltage (PIV)	VAC	1800
Number of controlled phases	Nr.	2

Control circuit

12-24VDC input or free-voltage input or via RS485 serial port (with optional card EXC1042 in combination with controller DCRG8F + EXP1012)

Auxiliary supply

Rated auxiliary supply voltage Us	AC		
	min	VAC	100
	Max	VAC	240
Auxiliary rated frequency	Hz		50/60
Power consumption Max	VA		14.1
Power dissipation Max	W		5.8

Control input

Terminals	CONTROL +/-
Rated voltage	12-24VDC
Operating range	8...30VDC

Digital inputs

Terminals	C-IN1
Applied voltage at contact (internal)	5VDC
Input current	mA ≤10
Low input signal	VDC ≤0.8
High input signal	VDC ≥3.2
Input signal delay	ms ≥50

NTC probe input

Terminals	NTC-NTC
Sensor type	NTC (ordering code NTC01)
Measuring range	°C -25...+85
Maximum connection length	mt 3

Fan power supply

Terminals				FAN +/-
Supply voltage (internal)				5VDC (provided by DCTL)
Fan type				2 built-in fans type EXP8004
Relay outputs				
Number of relay output		Nr.	1	
Contact arrangement				1 C/O-SPDT
Rated current				NO contact: AC1 5A 250VAC / 5A 30VDC
				NC contact: AC1 3A 250VAC / 3A 30VDC
UL/CSA and IEC/EN 60947-5-1 designation				D300
Maximum switching voltage		VAC	250	
Electrical life (with rated load)		cycles	NO contact: 10x10 ³	
			NC contact: 20x10 ³	
Mechanical life		cycles	10 ⁷	
Insulations				
Rated insulation voltage Ui IEC/EN		V	480	
Rated impulse withstand voltage Uimp		kV	4	
Connections - power terminals				
Type of terminal				Fixed - double lock clamp
Conductor cross section		min	mm ²	2 x 2.5
		Max	mm ²	2 x 35
		min	AWG	2 x 18
		Max	AWG	2 x 2
	Tightening torque (Max)		Nm	5.5-6.5
		lbin/lbft	4.06-4.79 lbft	
Connections - relay output				
Type of terminal				Screw
Conductor cross section		min	mm ²	0.2
		Max	mm ²	4
		min	AWG	26
		Max	AWG	10
	Tightening torque (Max)		Nm	0.8
		lbin	7	
Connections - fan and digital input				
Type of terminal				Screw
Conductor cross section		min	mm ²	0.2
		Max	mm ²	2.5
		min	AWG	24
		Max	AWG	12
	Tightening torque (Max)		Nm	0.44

lbin 4

Ambient conditions

Temperature

Operating temperature

min	°C	-20
max	°C	+45°C without derating (up to 55°C with derating)

Storage temperature

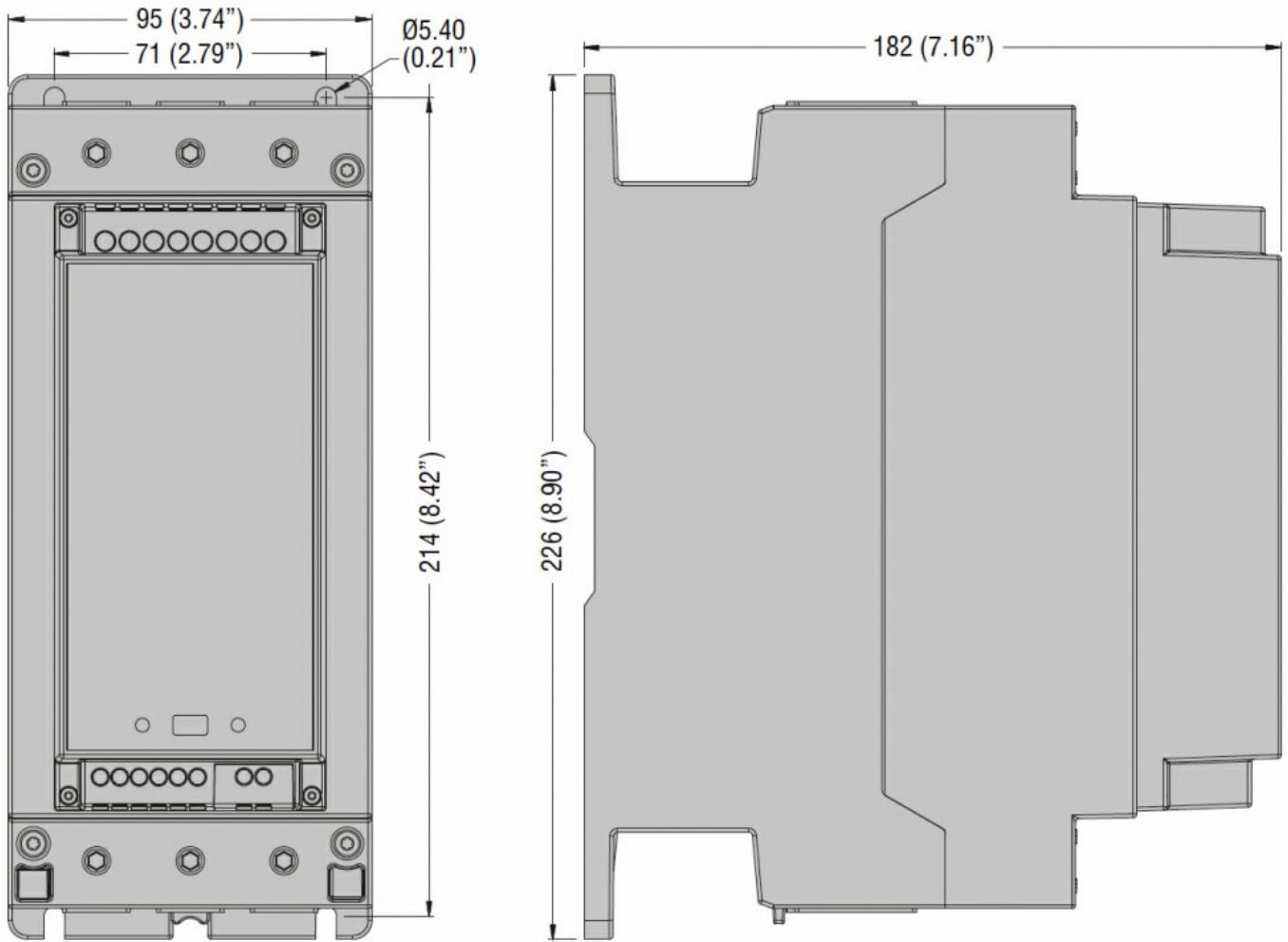
min	°C	-30
max	°C	+80

Relative humidity	%	<80%
Maximum Pollution degree		2
Overvoltage category		III
Max altitude	m	2000m without derating
Climatic sequence		Z/ABDM (IEC/EN 60068-2-61)
Shock resistance		15g (IEC/EN 60068-2-27)
Vibration resistance		0.7g (IEC/EN 60068-2-6)

Housing

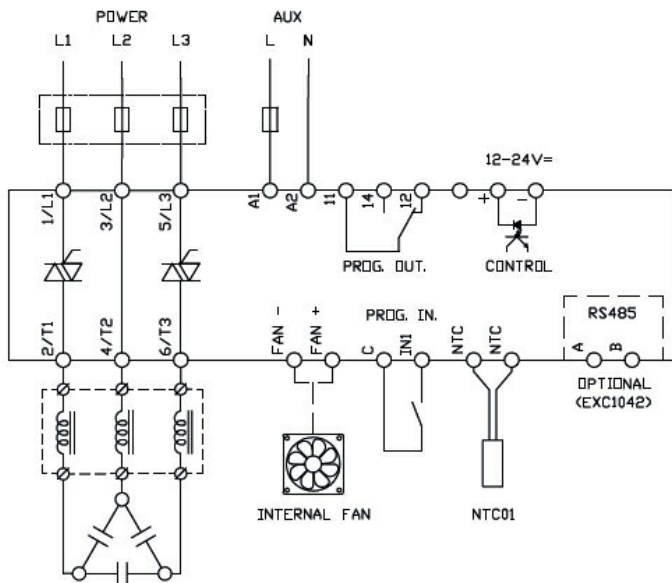
Execution		Internal panel version
Material		Polycarbonate
Mounting		Screw fixing or DIN-rail (IEC/EN 60715) with optional accessory EXP8003
Degree of protection		IP00
Dimensions (W x H x D)	mm	95 x 226 x 182
Weight	g	2840

Dimensions



Wiring diagrams

DCTL



Certifications and compliance

Compliance

IEC/EN 60947-4-3

IEC/EN 61000-6-2

IEC/EN 61000-6-4

Certificates

cULus

ETIM classification

ETIM 8.0

EC002055 -
Solid state relay