



General characteristics

Rated voltage	V	400
Operating voltage range		340...440
Rated frequency	Hz	50/60
Operating frequency range	Hz	45...65
Rated current (Ie)	A	144
Step power at	400VAC	kvar 100
Peak inverse voltage (PIV)	VAC	1800
Number of controlled phases	Nr.	2

Control circuit		12-24VDC input or free-voltage input or via RS485 serial port (with optional card EXC1042 in combination with controller DCRG8F + EXP1012)
-----------------	--	--

Auxiliary supply

Rated auxiliary supply voltage Us			
AC			
	min	VAC	100
	Max	VAC	240
Auxiliary rated frequency		Hz	50/60
Power consumption Max		VA	14.1
Power dissipation Max		W	5.8

Control input

Terminals		CONTROL +/-
Rated voltage		12-24VDC
Operating range		8...30VDC

Digital inputs

Terminals		C-IN1
Applied voltage at contact (internal)		5VDC
Input current	mA	≤10
Low input signal	VDC	≤0.8
High input signal	VDC	≥3.2
Input signal delay	ms	≥50

NTC probe input

Terminals		NTC-NTC
Sensor type		NTC (ordering code NTC01)
Measuring range	°C	-25...+85
Maximum connection length	mt	3

Fan power supply

Terminals				FAN +/-
Supply voltage (internal)				5VDC (provided by DCTL)
Fan type				2 built-in fans type EXP8004
Relay outputs				
Number of relay output	Nr.			1
Contact arrangement				1 C/O-SPDT
Rated current				NO contact: AC1 5A 250VAC / 5A 30VDC
				NC contact: AC1 3A 250VAC / 3A 30VDC
UL/CSA and IEC/EN 60947-5-1 designation				D300
Maximum switching voltage	VAC			250
Electrical life (with rated load)	cycles			NO contact: 10x10 ³
				NC contact: 20x10 ³
Mechanical life	cycles			10 ⁷
Insulations				
Rated insulation voltage Ui IEC/EN	V			480
Rated impulse withstand voltage Uimp	kV			4
Connections - power terminals				
Type of terminal				Bars - 25x5mm, hole diam. 11mm
Conductor cross section	Max	mm ²	50	1 x AWG 3/0 (for cULus compliance you must install n°2 lugs kit code EXA01 + n°2 terminal shrouds kit code EXA02)
	Max	AWG		
Tightening torque (Max)			Nm	35Nm (42Nm for EXA01 lugs)
			lbin/lbft	309 in-lbs (375 in-lbs for EXA01 lugs)
Connections - relay output				
Type of terminal				Screw
Conductor cross section	min	mm ²	0.2	
	Max	mm ²	4	
	min	AWG	26	
	Max	AWG	10	
Tightening torque (Max)			Nm	0.8
			lbin	7
Connections - fan and digital input				
Type of terminal				Screw

Conductor cross section

min	mm ²	0.2
Max	mm ²	2.5
min	AWG	24
Max	AWG	12

Tightening torque (Max)

Nm	0.44
lbin	4

Ambient conditions

Temperature

Operating temperature

min	°C	-20
max	°C	+45°C without derating (up to 55°C with derating)

Storage temperature

min	°C	-30
max	°C	+80

Relative humidity

% <80%

Maximum Pollution degree

2

Overvoltage category

III

Max altitude

m 2000m without derating

Climatic sequence

Z/ABDM (IEC/EN 60068-2-61)

Shock resistance

15g (IEC/EN 60068-2-27)

Vibration resistance

0.7g (IEC/EN 60068-2-6)

Housing

Execution

Internal panel version

Material

Polycarbonate

Degree of protection

IP00

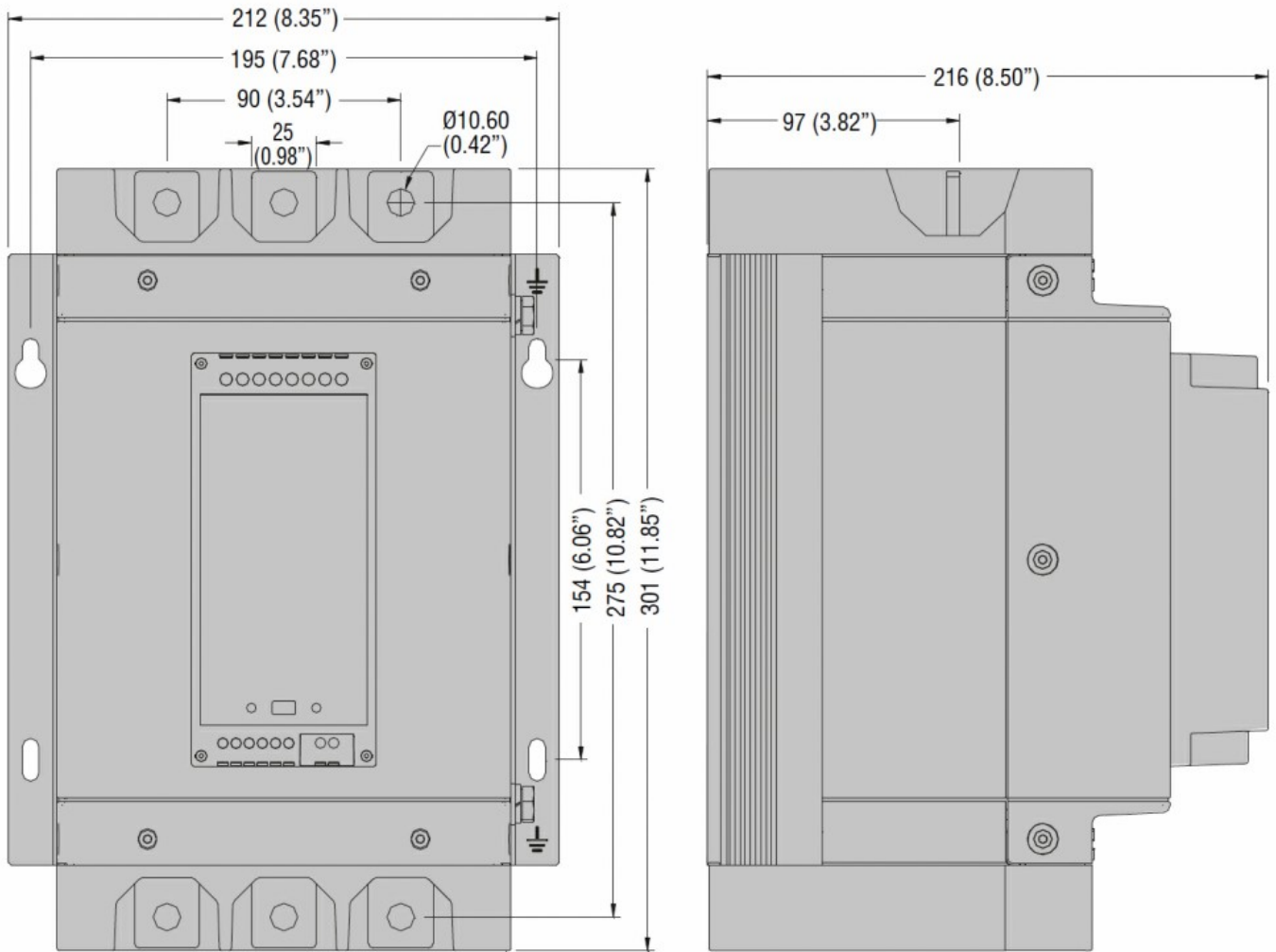
Dimensions (W x H x D)

mm 212 x 301 x 216 (with EXA01 lugs and EXA02 terminals protection: 212 x 468 x 216)

Weight

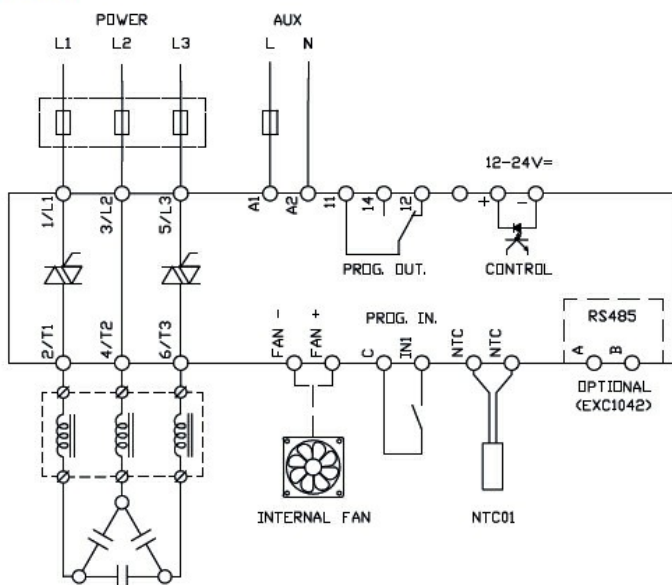
g 6680

Dimensions



Wiring diagrams

DCTL



Certifications and compliance

Compliance

IEC/EN 60947-4-3
IEC/EN 61000-6-2

IEC/EN 61000-6-4

Certificates

cULus

ETIM classification

ETIM 8.0

EC002055 -
Solid state relay