



General characteristics

Rated voltage	V	400...480
Operating voltage range		340...528
Rated frequency	Hz	50/60
Operating frequency range	Hz	45...65
Rated current (I _e)	A	22
Step power at		
	400VAC	kvar 18
	440VAC	kvar 16.5
	480VAC	kvar 18
Peak inverse voltage (PIV)	VAC	2200
Number of controlled phases	Nr.	2
Control circuit		12-24VDC input or free-voltage input or via RS485 serial port (with optional card EXC1042 in combination with controller DCRG8F + EXP1012)

Auxiliary supply

Rated auxiliary supply voltage U _s			
AC			
	min	VAC	100
	Max	VAC	240
Auxiliary rated frequency		Hz	50/60
Power consumption Max		VA	11.8
Power dissipation Max		W	4.6

Control input

Terminals	CONTROL +/-
Rated voltage	12-24VDC
Operating range	8...30VDC

Digital inputs

Terminals	C-IN1
Applied voltage at contact (internal)	5VDC
Input current	mA ≤10
Low input signal	VDC ≤0.8
High input signal	VDC ≥3.2
Input signal delay	ms ≥50

NTC probe input

Terminals	NTC-NTC
Sensor type	NTC (ordering code NTC01)
Measuring range	°C -25...+85

Maximum connection length	mt	3
Fan power supply		
Terminals		FAN +/-
Supply voltage (internal)		5VDC (provided by DCTL)
Fan type		1 built-in fan type EXP8004
Relay outputs		
Number of relay output	Nr.	1
Contact arrangement		1 C/O-SPDT
Rated current		NO contact: AC1 5A 250VAC / 5A 30VDC NC contact: AC1 3A 250VAC / 3A 30VDC
UL/CSA and IEC/EN 60947-5-1 designation		D300
Maximum switching voltage	VAC	250
Electrical life (with rated load)	cycles	NO contact: 10x10 ³ NC contact: 20x10 ³
Mechanical life	cycles	10 ⁷
Insulations		
Rated insulation voltage Ui IEC/EN	V	480
Rated impulse withstand voltage Uimp	kV	4
Connections - power terminals		
Type of terminal		Fixed - double lock clamp
Conductor cross section	min mm ²	2 x 2.5
	Max mm ²	2 x 35
	min AWG	2 x 18
	Max AWG	2 x 2
Tightening torque (Max)	Nm	4-5
	lbin/lbft	2.95-3.69 lbft
Connections - relay output		
Type of terminal		Screw
Conductor cross section	min mm ²	0.2
	Max mm ²	4
	min AWG	26
	Max AWG	10
Tightening torque (Max)	Nm	0.8
	lbin	7
Connections - fan and digital input		
Type of terminal		Screw
Conductor cross section	min mm ²	0.2
	Max mm ²	2.5
	min AWG	24
	Max AWG	12

Tightening torque (Max)

Nm 0.44
lbin 4

Ambient conditions

Temperature

Operating temperature

min °C -20
+45°C without
derating (up to
55°C with
derating)
max °C

Storage temperature

min °C -30
max °C +80

Relative humidity

% <80%

Maximum Pollution degree

2

Overvoltage category

III

Max altitude

m 2000m without
derating

Climatic sequence

Z/ABDM (IEC/EN
60068-2-61)

Shock resistance

15g (IEC/EN
60068-2-27)

Vibration resistance

0.7g (IEC/EN
60068-2-6)

Housing

Execution

Internal panel
version

Material

Polycarbonate

Mounting

Screw fixing or
DIN-rail (IEC/EN
60715) with
optional
accessory
EXP8003

Degree of protection

IP00

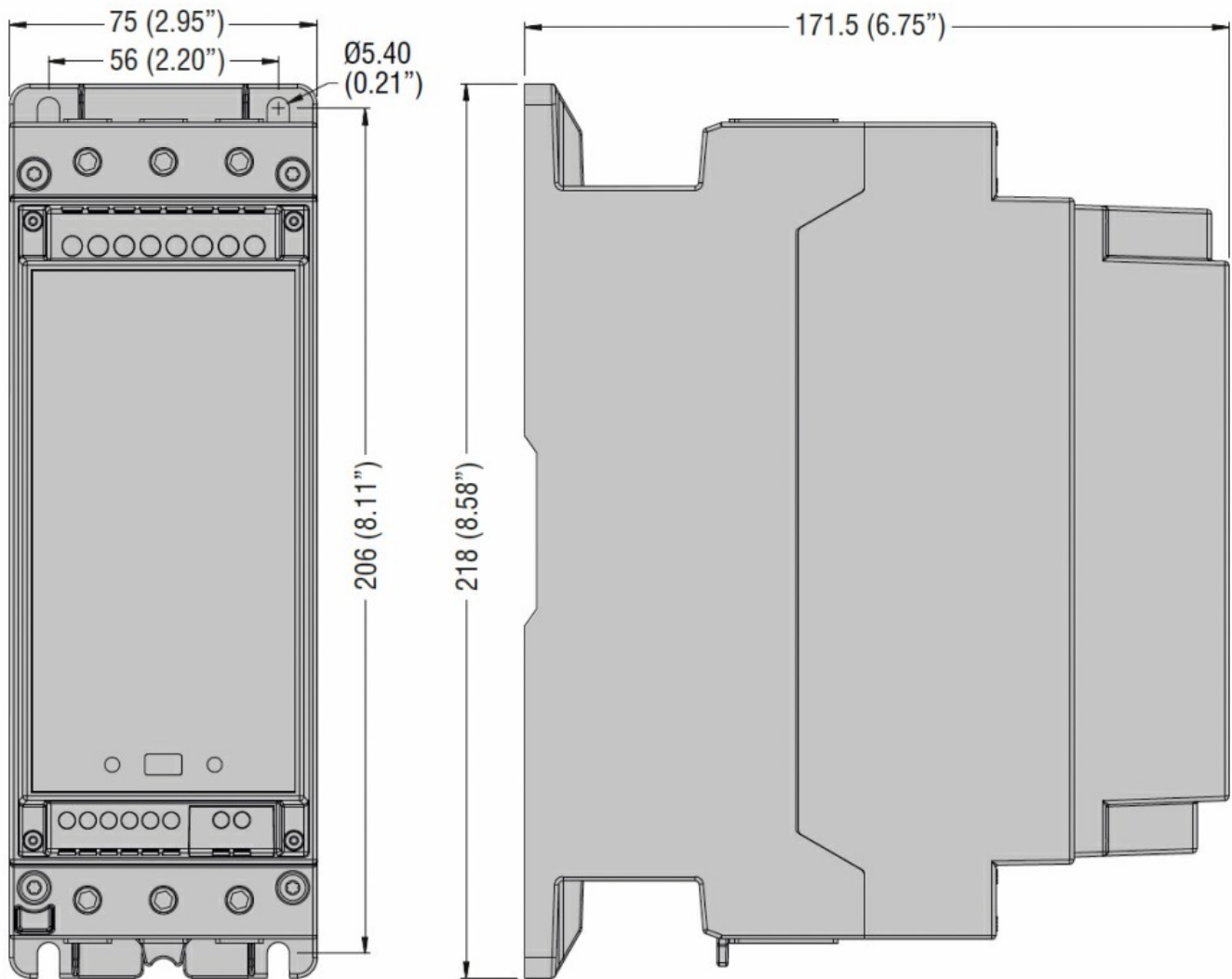
Dimensions (W x H x D)

mm 75 x 218 x 171.5

Weight

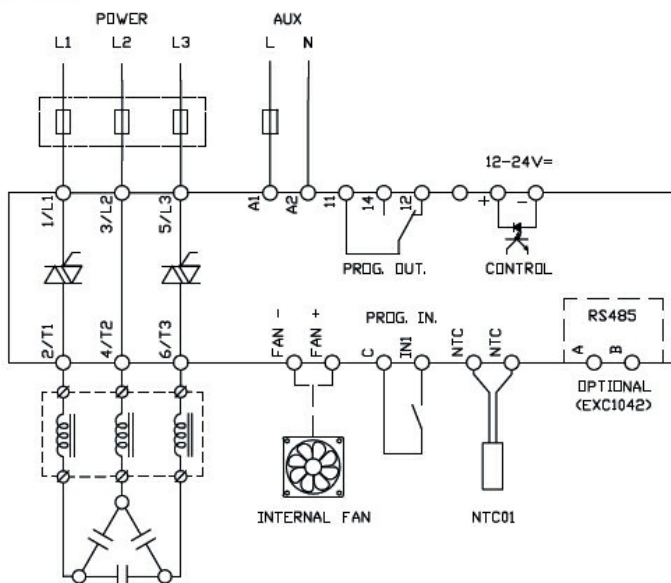
g 1740

Dimensions



Wiring diagrams

DCTL



Certifications and compliance

Compliance

IEC/EN 60947-4-3

IEC/EN 61000-6-2

IEC/EN 61000-6-4

Certificates

cULus

ETIM classification

ETIM 8.0

EC002055 -
Solid state relay