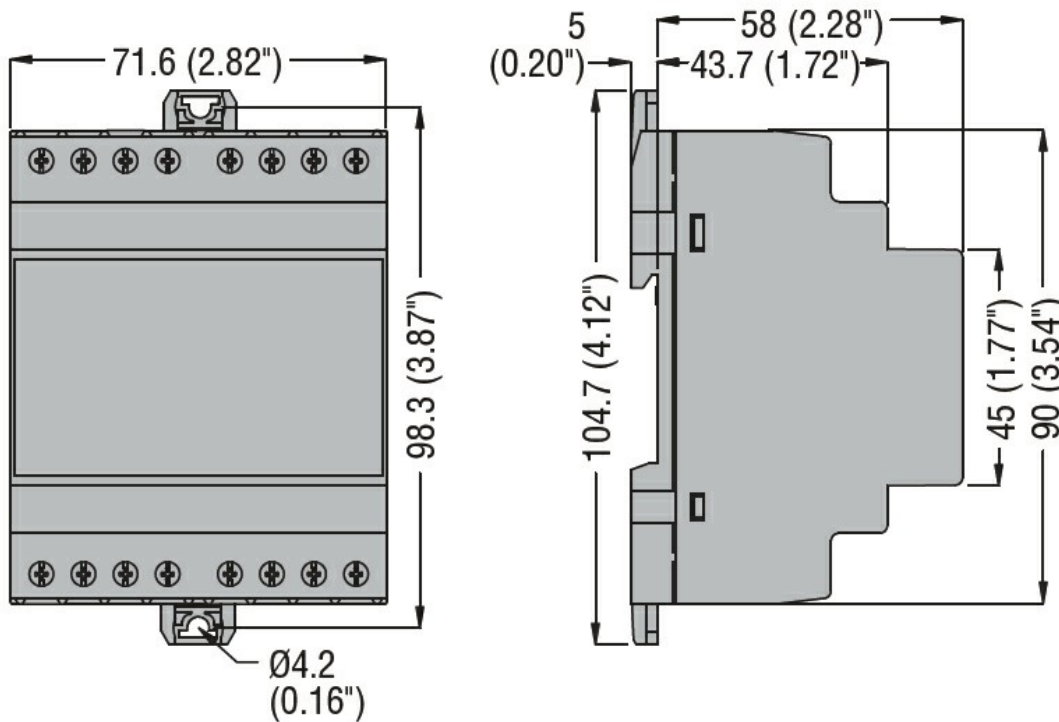




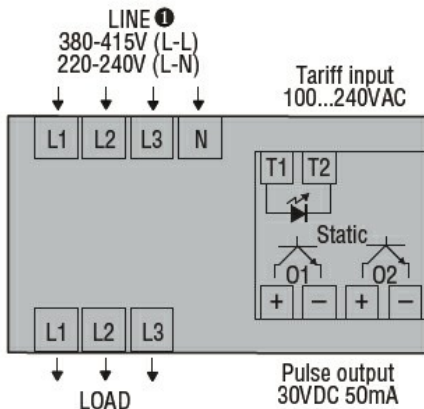
Auxiliary supply U_s			
Operational frequency		min	Hz 50
		max	Hz 60
Power consumption		Max	VA 20
Power dissipation Max			W 1.35
Measuring voltage inputs			
Rated voltage (U_e)	phase-phase	VAC	380...415
	phase-neutral	VAC	220...240
Operating voltage range	phase-phase	VAC	323...456
	phase-neutral	VAC	187...264
Connection method			Direct
Current			
IEC maximum (I_{max})		A	80
IEC minimum (I_{min})		A	0.75
IEC rated (I_{ref-Ib})		A	15
IEC start (I_{st})		mA	60
Transition (I_{tr})		A	1.5
Accuracy			
	Active energy		Class 1 (IEC/EN 62053-21)
	Reactive energy		Class 2 (IEC/EN 62053-23)
Output characteristics			
LED Pulse rate		pulse/kWh	1000
LED Pulse duration		ms	30
Static output pulse rate		pulse/kWh	1-10-100-1000 programmable
Static output pulse duration		ms	100 for 1-10-10 pulse; 60 for 1000 pulse
Static output external voltage		VDC	10...30
Static outputs Maximum current		mA	50
Insulations			
Rated insulation voltage U_i IEC/EN		V	250
Rated impulse withstand voltage U_{imp}		kV	6
Operating frequency withstand voltage		kV	4
Mechanical features			
Housing type			Polyamide
Terminals type			Fixed
Conductor cross section		min	mm ² 2.5

	Max	mm ²	25
	min	AWG	14
	Max	AWG	4
<hr/>			
Tightening torque (Max)		Nm	2
		lbin	17.7
<hr/>			
Fixing			Din rail
<hr/>			
Weight		g	360
<hr/>			
Ambient conditions			
Temperature			
Operating temperature			
	min	°C	-25
	max	°C	+55
<hr/>			
Storage temperature			
	min	°C	-25
	max	°C	+70
<hr/>			
Relative humidity		%	<80
<hr/>			
Maximum Pollution degree			2

Dimensions



Wiring diagrams



Certifications and compliance

Compliance

IEC/EN 50470-1
IEC/EN 61010-1
IEC/EN 61010-2-030

Certificates

EAC
RCM

ETIM classification

ETIM 8.0

EC001506 -
Kilowatt-hour
meter