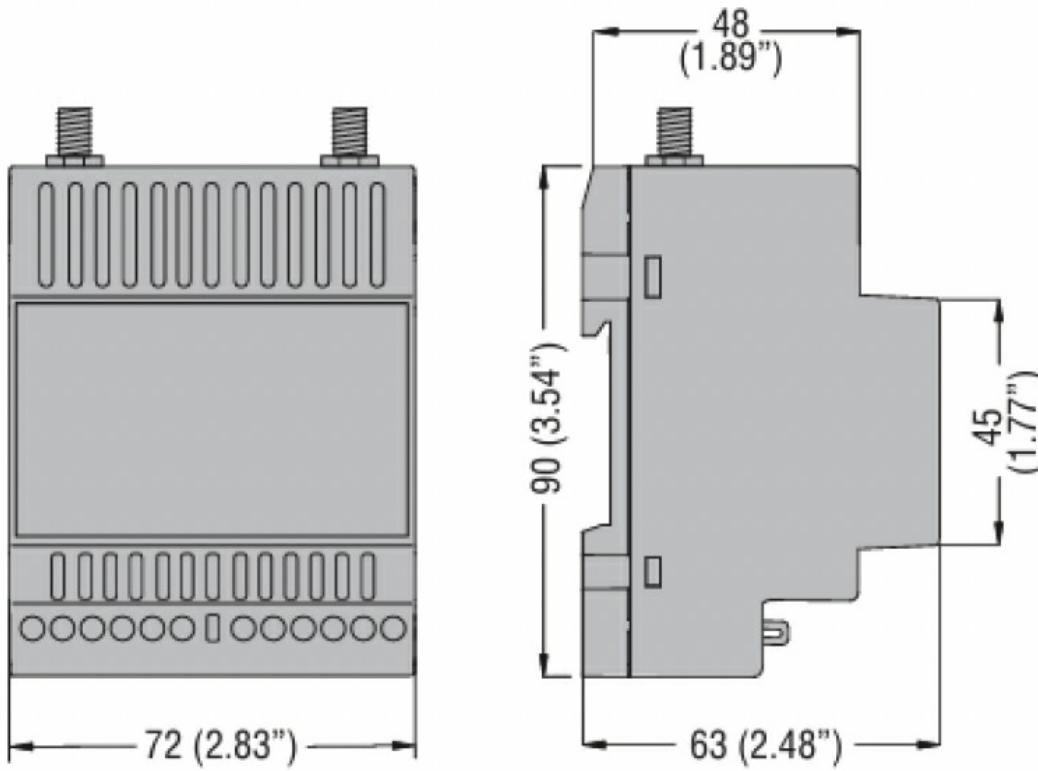




**General characteristics**

Description	Gateway data logger for data collecting via Modbus from the devices in the field. Publishing of the data to supervision software, also in Cloud		
Functions	Data logger		
Rated power supply voltage	12-24VDC		
<b>Monitoring method</b>			
Transmission technology	Wi-Fi		
Connectivity with Synergy and Xpress	Yes (Only Synergy)		
Device setup and supervision	Yes (only supervision)		
Local memory	Yes		
Support for multiple devices	Yes, with RS485 or/and Ethernet		
Device compatibility	Devices with RS485 or Ethernet and modbus slave role, third party ones included		
<b>Interface</b>			
RS232 communication	0		
RS485 communication	1		
Ethernet communication	1		
<b>Mechanical features</b>			
Weight	g	190	
<b>Ambient conditions</b>			
Temperature	Operating temperature		
	min	°C	-20
	max	°C	+60
<b>Dimensions</b>			



**Certifications and compliance**

Certifications

EN/BS 60950-1

Compliance

CE  
 RED

**ETIM classification**

EC000066 - Power contactor, AC switching