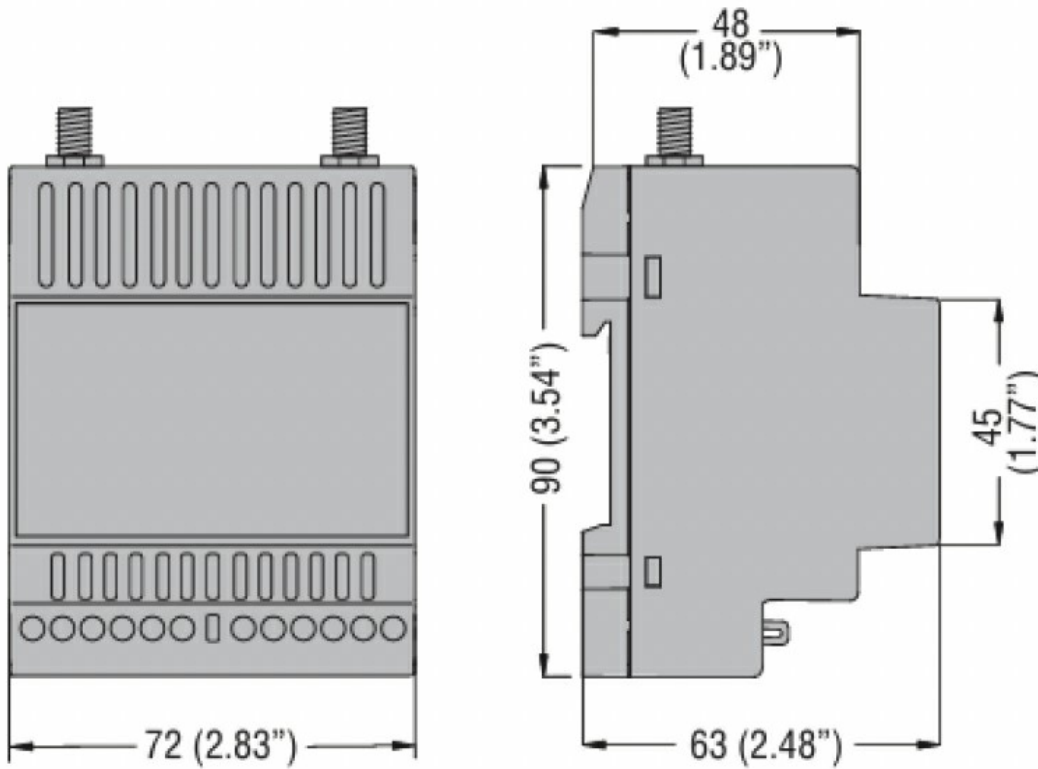




**General characteristics**

|                                      |   |     |     |
|--------------------------------------|---|-----|-----|
| Description                          | Gateway data logger for data collecting via Modbus from the devices in the field. Publishing of the data to supervision software, also in Cloud |     |     |
| Functions                            | Data logger   |     |     |
| Rated power supply voltage           | 12-24VDC  |     |     |
| <b>Monitoring method</b>             |   |     |     |
| Transmission technology              | 4G  |     |     |
| Connectivity with Synergy and Xpress | Yes (Only Synergy)  |     |     |
| Device setup and supervision         | Yes (only supervision)  |     |     |
| Local memory                         | Yes   |     |     |
| Support for multiple devices         | Yes, with RS485 or/and Ethernet   |     |     |
| Device compatibility                 | Devices with RS485 or Ethernet and modbus slave role, third party ones included   |     |     |
| <b>Interface</b>                     |   |     |     |
| RS232 communication                  | 0   |     |     |
| RS485 communication                  | 1   |     |     |
| Ethernet communication               | 1   |     |     |
| <b>Mechanical features</b>           |   |     |     |
| Weight                               | g   | 190 |     |
| <b>Ambient conditions</b>            |   |     |     |
| Temperature                          | Operating temperature   |     |     |
|                                      | min   | °C  | -20 |
|                                      | max   | °C  | +60 |
| <b>Dimensions</b>                    |   |     |     |



**Certifications and compliance**

Certifications

EN/BS 60950-1

Compliance

CE  
 RED

**ETIM classification**

EC000066 - Power contactor, AC switching