



General characteristics

Description	Remote control and monitoring GSM/4G modem via SMS
Functions	GSM/4G modem
Rated power supply voltage	100...240VAC

Monitoring method

Transmission technology	GSM/4G
Connectivity with Synergy and Xpress	No

Interface

Mobile communication	GSM/4G
----------------------	--------

Mechanical features

Conductor cross section	min	mm ²	0.2
	Max	mm ²	2.5
	min	AWG	24
	Max	AWG	12

Fixing	DIN rail EN 50022
--------	-------------------

Weight	g	200
--------	---	-----

Ambient conditions

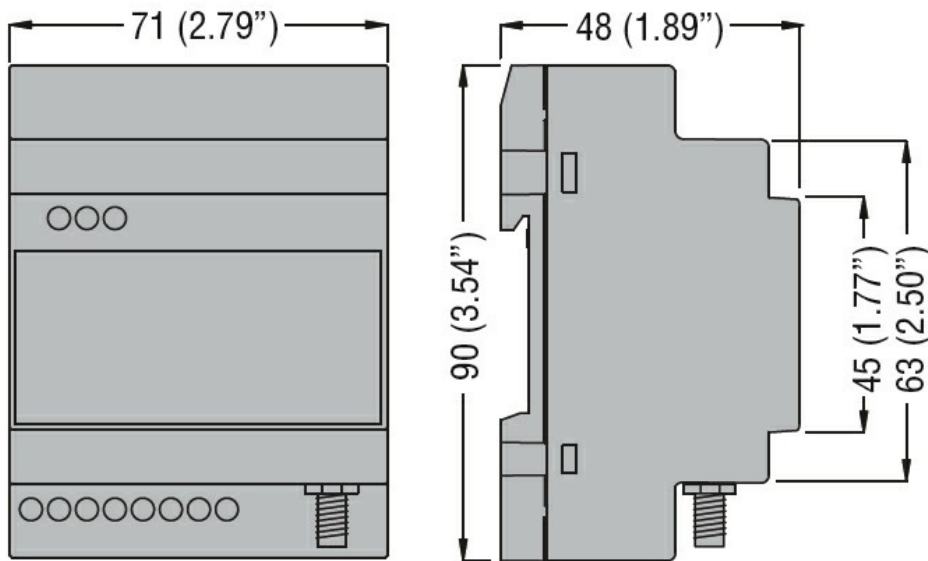
Temperature	Operating temperature	min	°C	-20
		max	°C	+60

Resistance & Protection

Frontal IP degree	IP40
Terminals IP degree	IP20

Dimensions

GSM MODEM, RECEIVING AND SENDING MESSAGES FOR REMOTE CONTROLS AND ALARM SIGNALS. IP69K FOR EXTERNAL USE ANTENNA WITH 2.5M CABLE AND RJ45-USB PROGRAMMING CABLE (INCLUDED). 100...240VAC, 1 DIGITAL INPUT, 1 ANALOGIC INPUT (0...10V, 0...MA, NTC), 1 RELAY OUTPUT



Certifications and compliance

Certifications

IEC/EN 62311

IEC/EN 62368

Compliance

/

ETIM classification

EC000066 - Power contactor, AC switching