



General characteristics

Description	Opto-isolated RS232 interface	
Functions	Communication ports	
Compatibility with LOVATO Electric product	IP	
	PMVF52/61/71	Yes
Digital multimeters	DMG300	Yes
Energy meters	DMED310T2	Yes
Data concentrators	DMECD	Yes
	DMECD	Yes

Communications

Type of communication port	Serial
----------------------------	--------

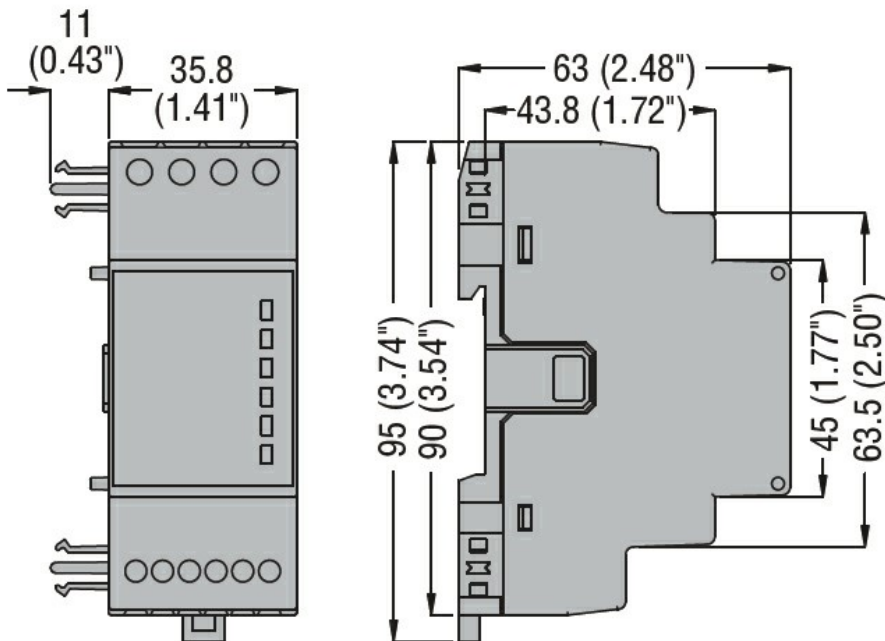
Interface

RS232 communication	Yes
---------------------	-----

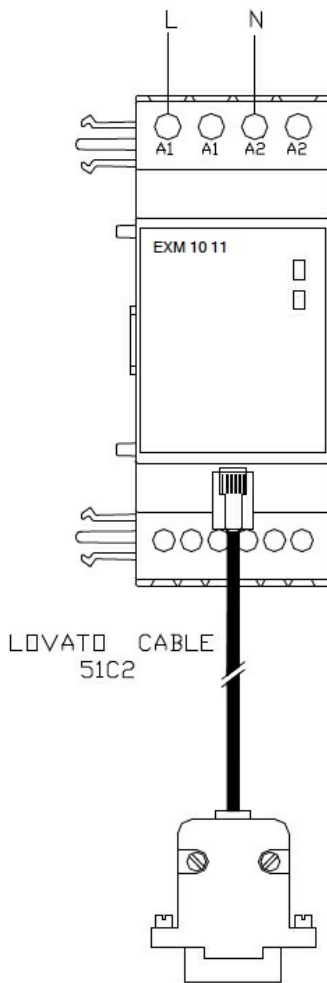
Mechanical features

Weight	g	125
--------	---	-----

Dimensions



Wiring diagrams



Certifications and compliance

Compliance

CSA C22.2 n° 14

IEC/EN 61000-6-2

IEC/EN 61000-6-3

IEC/EN 61010-1

UL508

Certificates

cULus

EAC

ETIM classification

ETIM 8.0

EC002498 -
Accessories/spare
parts for low-
voltage switch
technology