



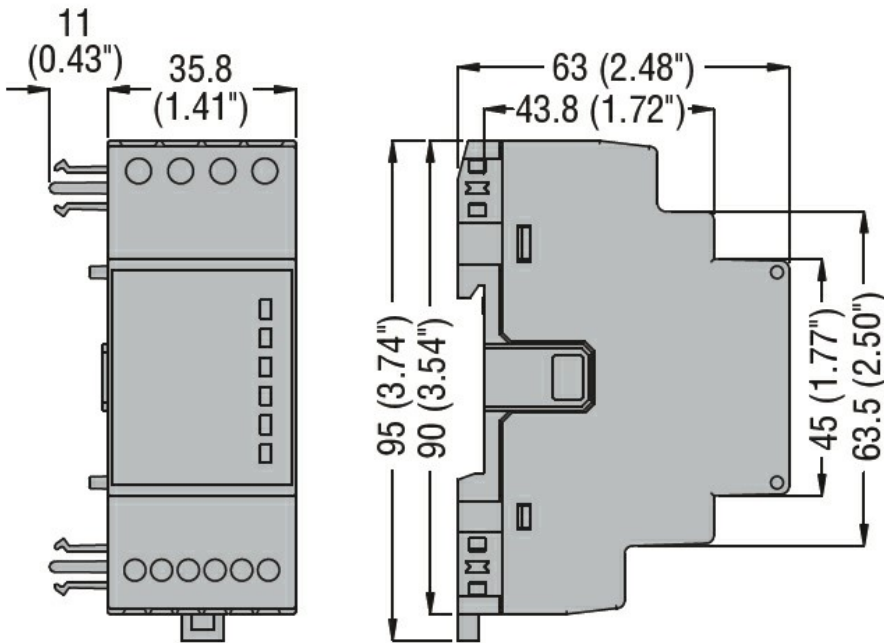
**General characteristics**

Description	Data storage, RTC with backup reserve energy for data logging	
Functions	Data storage	
Compatibility with LOVATO Electric product		
Digital multimeters	DMG300	Yes
Energy meters	DMED310T2	Yes
Data concentrators	DMECD DMECD	Yes Yes

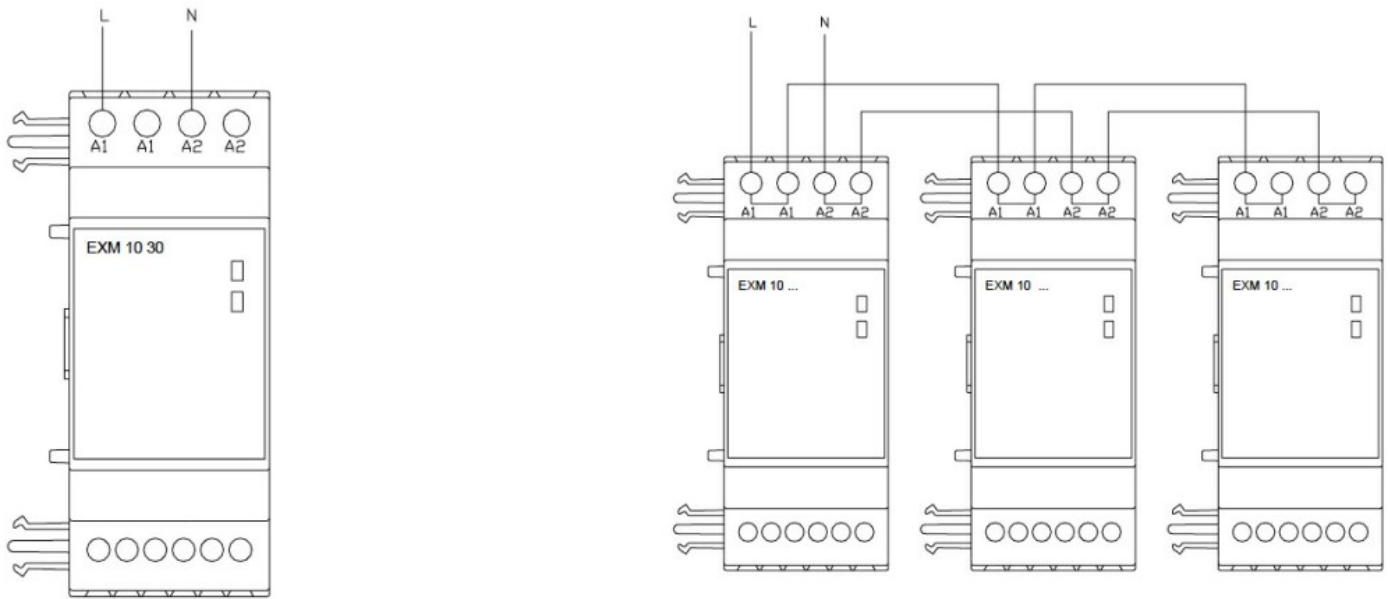
**Mechanical features**

Weight	g	140
--------	---	-----

**Dimensions**



**Wiring diagrams**



**Certifications and compliance**

Compliance

CSA C22.2 n° 14

IEC/EN 61000-6-2

IEC/EN 61000-6-3

IEC/EN 61010-1

UL508

Certificates

cULus

EAC

**ETIM classification**

ETIM 8.0

EC002498 -  
Accessories/spare  
parts for low-  
voltage switch  
technology