



### General characteristics

Description	4 digital inputs, opto-isolated		
Functions	Inputs and outputs		
Rated power supply voltage	0		
Compatibility with LOVATO Electric product			
Digital multimeters	DMG600/601/611		Yes
Digital power analyzers	DMG7000		Yes
	DMG7500		Yes
	DMG8000		Yes
	DMG9000		Yes
Automatic power factor controllers	DCRG8		Yes
Automatic transfer switch controllers	ATL610		Yes
	ATL800/900		Yes
Fire pump controllers	FFLRA400		Yes
Engine and generator controllers	RGK750/RGK8/RGK9		Yes

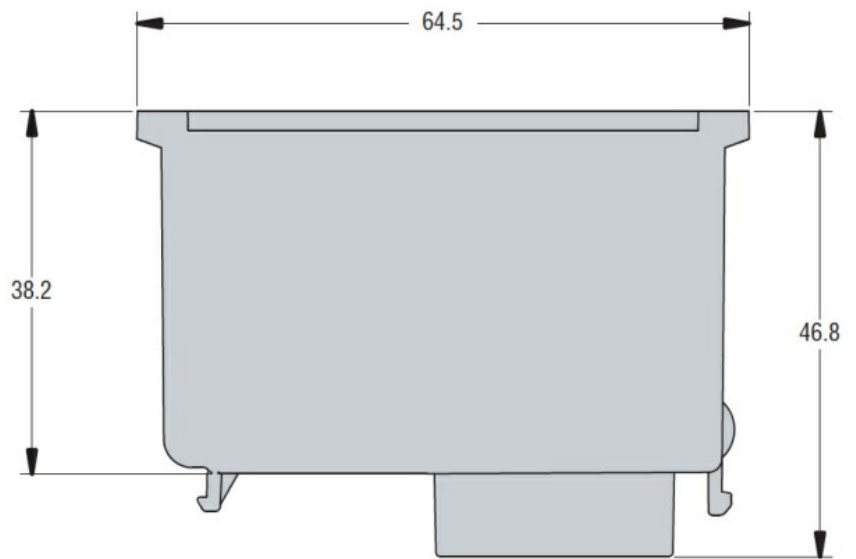
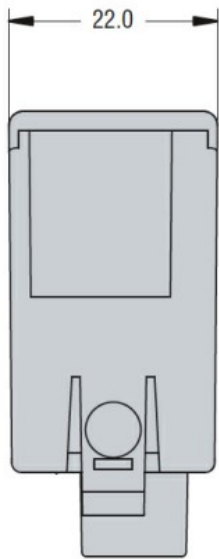
### Input and Output

Digital inputs	Number of digital input	Nr.	4
	Digital input type		Opto-isolated
Digital outputs	Number of digital output	Nr.	0

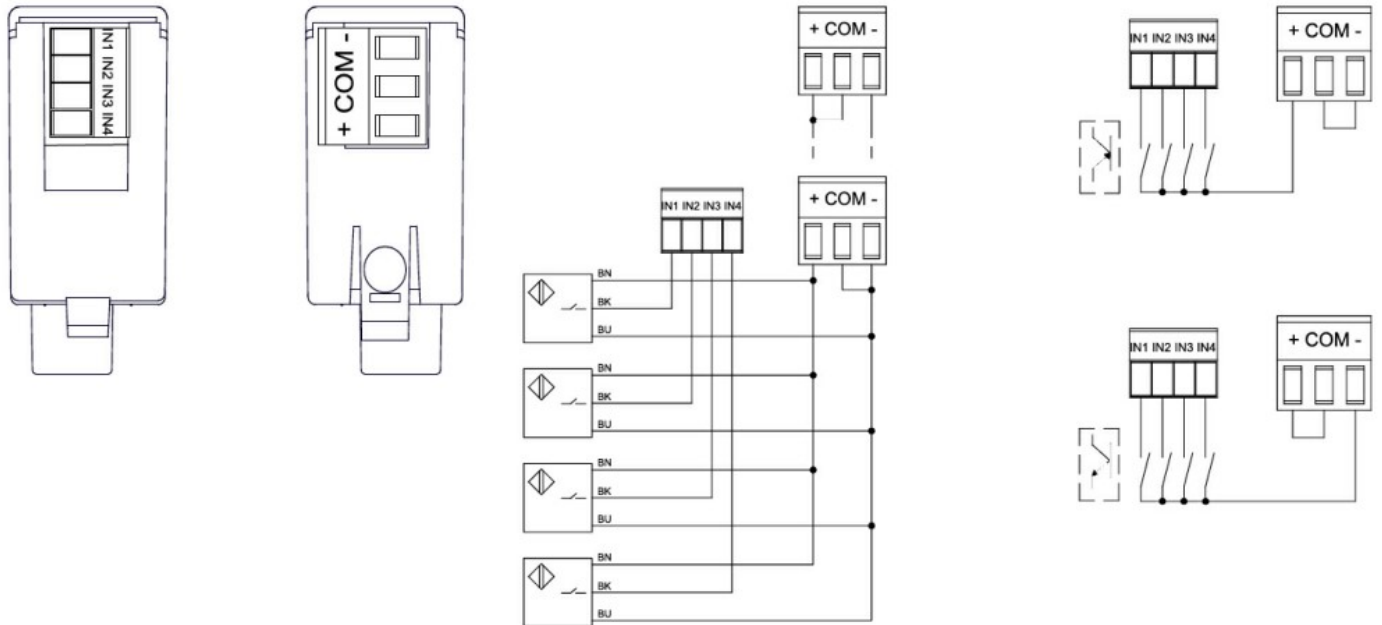
### Mechanical features

Weight	g	60
--------	---	----

### Dimensions



**Wiring diagrams**



**Certifications and compliance**

**Compliance**

CSA C22.2 n° 14

IEC/EN 61000-6-2

IEC/EN 61000-6-3

IEC/EN 61010-1

UL508

**Certificates**

cULus

EAC

**ETIM classification**

ETIM 8.0

EC002498 -  
Accessories/spare  
parts for low-  
voltage switch  
technology