



### General characteristics

Description	2 relay outputs 5A 250VAC	
Functions	Inputs and outputs	
Rated power supply voltage	5A 250VAC	
Compatibility with LOVATO Electric product		
IP	PMVF3000	Yes
Digital multimeters	DMG600/601/611	Yes
Digital power analyzers	DMG7000 DMG7500 DMG8000 DMG9000	Yes Yes Yes Yes
Automatic power factor controllers	DCRL3/5 DCRG8	Yes Yes
Automatic transfer switch controllers	ATL610 ATL800/900	Yes Yes
Fire pump controllers	FFLRA400	Yes
Engine and generator controllers	RGK750/RGK8/RGK9	Yes

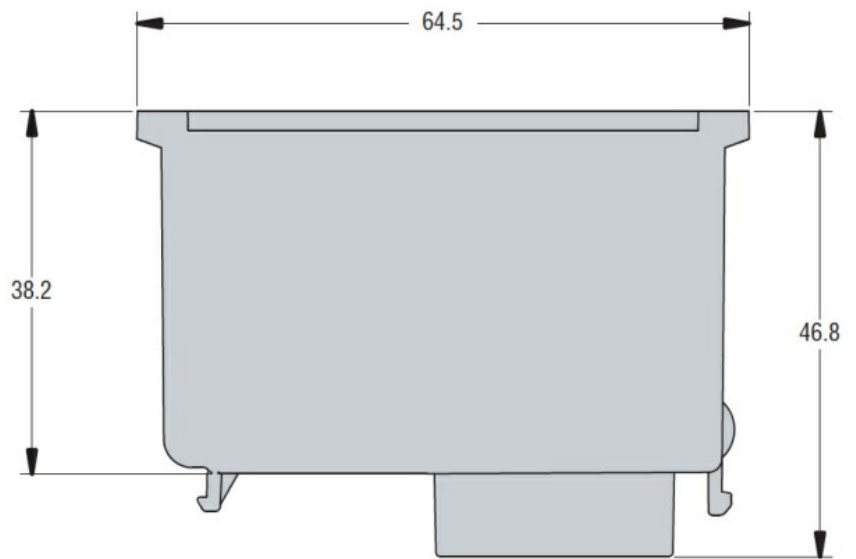
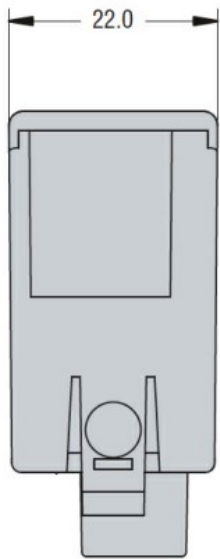
### Input and Output

Digital outputs	Number of digital output	Nr.	2
-----------------	--------------------------	-----	---

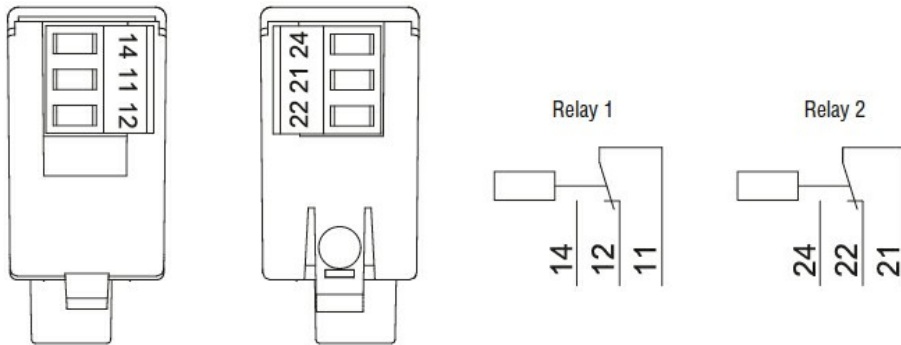
### Mechanical features

Weight	g	50
--------	---	----

### Dimensions



**Wiring diagrams**



**Certifications and compliance**

**Compliance**

- CSA C22.2 n° 14
- IEC/EN 61000-6-2
- IEC/EN 61000-6-3
- IEC/EN 61010-1
- UL508

**Certificates**

- cULus
- EAC

**ETIM classification**

ETIM 8.0

EC002498 -  
Accessories/spare  
parts for low-  
voltage switch  
technology