



General characteristics

Description	2 analog inputs, opto-isolated 0/4...20mA or PT100 or 0...10V or 0...±5V	
Functions	Inputs and outputs	
Compatibility with LOVATO Electric product		
Digital power analyzers	DMG7000	Yes
	DMG7500	Yes
	DMG8000	Yes
	DMG9000	Yes
Automatic power factor controllers	DCRG8	Yes
Automatic transfer switch controllers	ATL800/900	Yes
Engine and generator controllers	RGK750/RGK8/RGK9	Yes

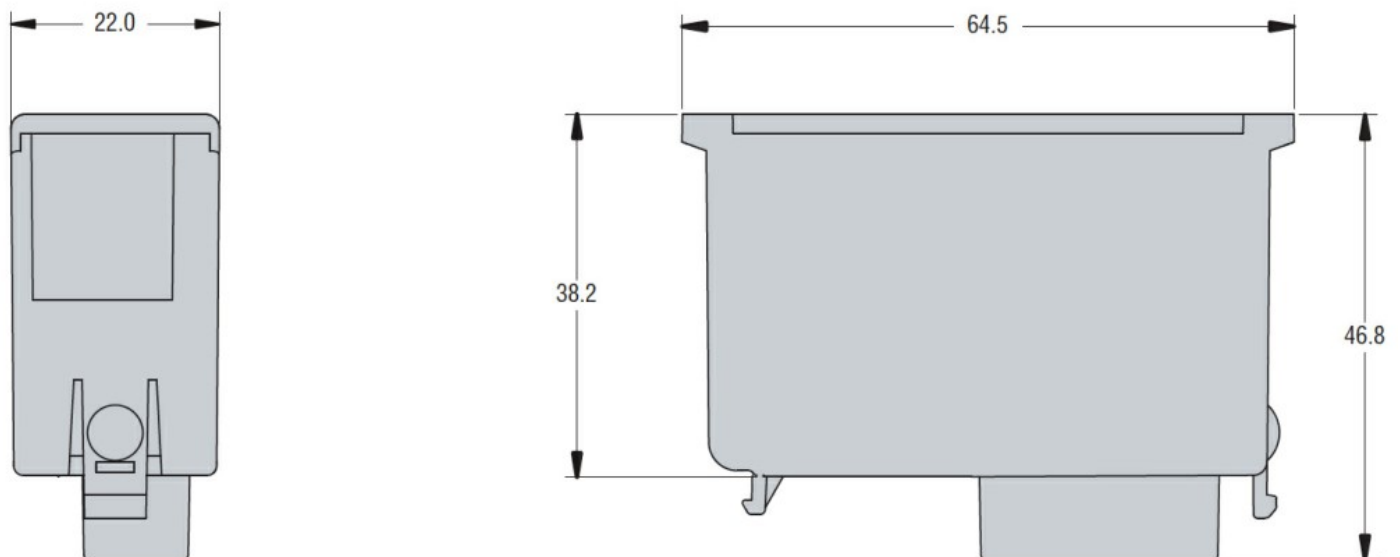
Input and Output

Analog inputs	Number of analog input	Nr.	2
	Analog input type		0...10V, -5...+5V, 0...20mA, PT100

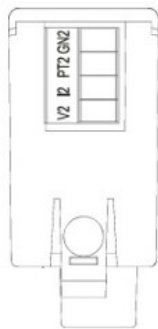
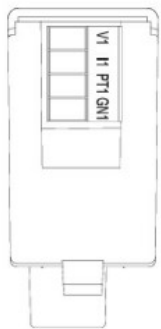
Mechanical features

Weight	g	56
--------	---	----

Dimensions



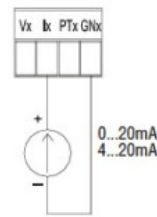
Wiring diagrams



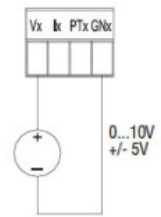
Connessione PT100 2 fili
2 wire PT100 connection
Connexion PT100 à 2 fils
Conexión PT100 de 2 hilos



Connessione per ingresso di corrente
Current input connection
Connexion entrée courant
Conexión salida corriente



Connessione per ingresso di tensione
Voltage input connection
Connexion entrée tension
Conexión salida tensión



Certifications and compliance

Compliance

CSA C22.2 n° 14

IEC/EN 61000-6-2

IEC/EN 61000-6-4

IEC/EN 61010-1

UL508

Certificates

cULus

EAC

ETIM classification

ETIM 8.0

EC002498 -
Accessories/spare
parts for low-
voltage switch
technology