



**General characteristics**

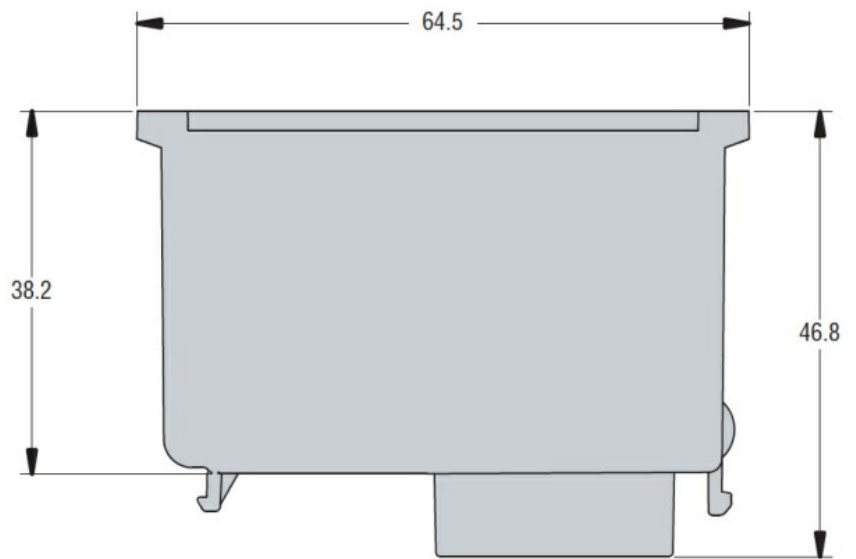
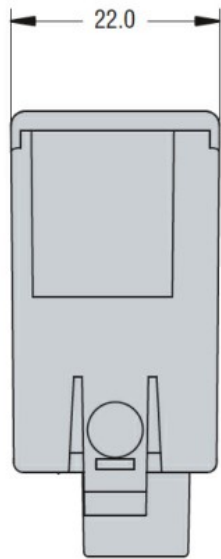
Description	2 analog inputs, opto-isolated 0/4...20mA or PT100 or 0...10V or 0...±5V	
Functions	Inputs and outputs	
Compatibility with LOVATO Electric product		
Digital power analyzers	DMG7000	Yes
	DMG7500	Yes
	DMG8000	Yes
	DMG9000	Yes
Automatic power factor controllers	DCRG8	Yes
Automatic transfer switch controllers	ATL800/900	Yes
Fire pump controllers	FFL800	Yes
Engine and generator controllers	RGK750/RGK8/RGK9	Yes

**Input and Output**

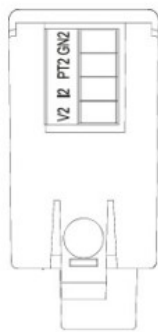
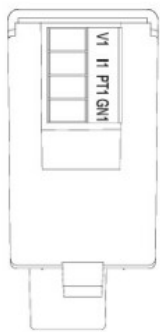
Analog inputs	Number of analog input	Nr.	2
	Analog input type		0...10V, -5...+5V, 0...20mA, PT100

**Mechanical features**

Weight	g	56
Dimensions		



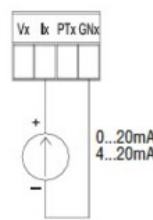
### Wiring diagrams



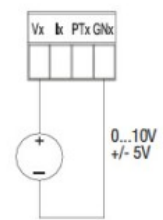
Connessione PT100 2 fili  
2 wire PT100 connection  
Connexion PT100 à 2 fils  
Conexión PT100 de 2 hilos



Connessione per ingresso di corrente  
Current input connection  
Connexion entrée courant  
Conexión salida corriente



Connessione per ingresso di tensione  
Voltage input connection  
Connexion entrée tension  
Conexión salida tensión



### Certifications and compliance

#### Compliance

CSA C22.2 n° 14

IEC/EN 61000-6-2

IEC/EN 61000-6-4

IEC/EN 61010-1

UL508

#### Certificates

cULus

EAC

### ETIM classification

ETIM 8.0

EC002498 -  
Accessories/spare  
parts for low-  
voltage switch  
technology