



General characteristics

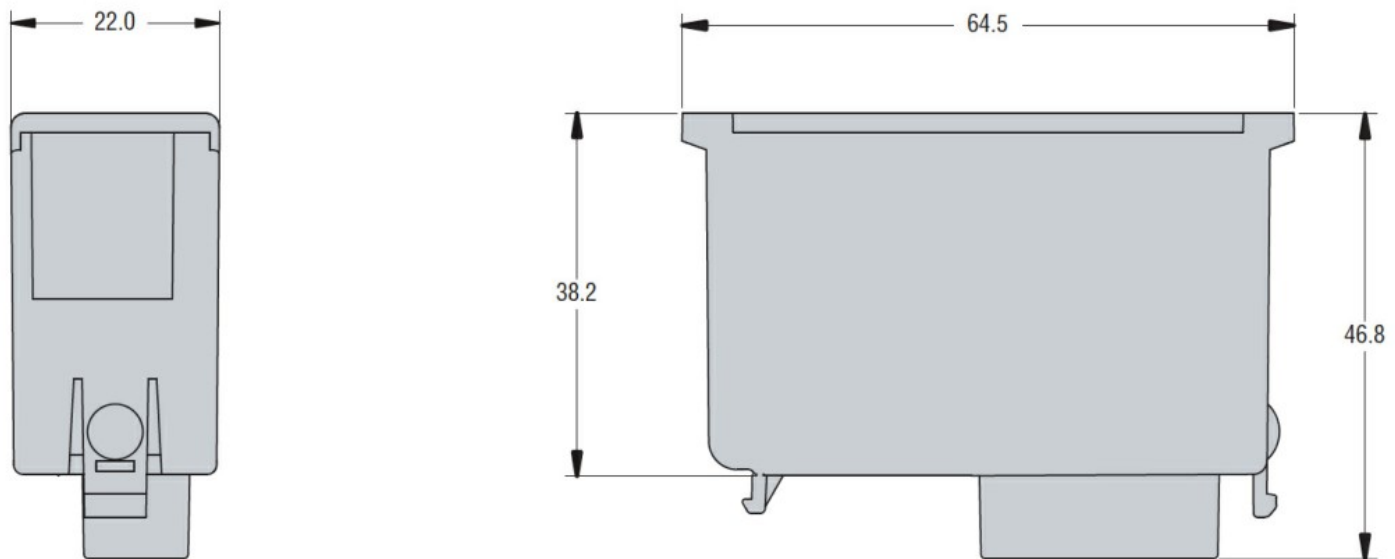
Description	2 analog outputs, opto-isolated 0/4...20mA, 0-10V or 0...±5V	
Functions	Inputs and outputs	
Compatibility with LOVATO Electric product		
Digital power analyzers	DMG7000	Yes
	DMG7500	Yes
	DMG8000	Yes
	DMG9000	Yes
Automatic power factor controllers	DCRG8	Yes
Automatic transfer switch controllers	ATL800/900	Yes
Engine and generator controllers	RGK750/RGK8/RGK9	Yes

Input and Output

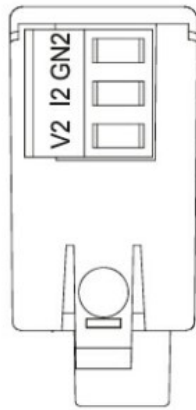
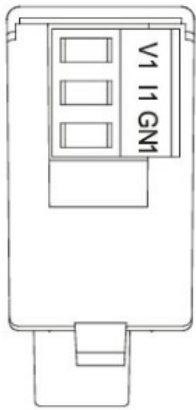
Analog outputs	Number of analog output	Nr.	2
	Analog output type		0...10V, -5...+5V, 0...20mA

Mechanical features

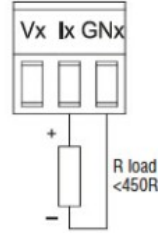
Weight	g	64
Dimensions		



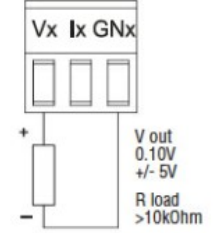
Wiring diagrams



Connessione per uscita di corrente
Current output connection
Connexion pour sortie en current
Conexión salida corriente



Connessione per uscita di tensione
Voltage output connection
Connexion pour sortie tension
Conexión salida tensión



Certifications and compliance

Compliance

CSA C22.2 n° 14

IEC/EN 61000-6-2

IEC/EN 61000-6-3

IEC/EN 61010-1

UL508

Certificates

cULus

EAC

ETIM classification

ETIM 8.0

EC002498 -
Accessories/spare
parts for low-
voltage switch
technology