



General characteristics

Description	2 relay outputs to increase number of steps		
Functions	Inputs and outputs		
Compatibility with LOVATO Electric product	Automatic power factor controllers		
	DCRL3/5	Yes	
	DCRG8	Yes	
	Automatic transfer switch controllers		
	ATL610	Yes	

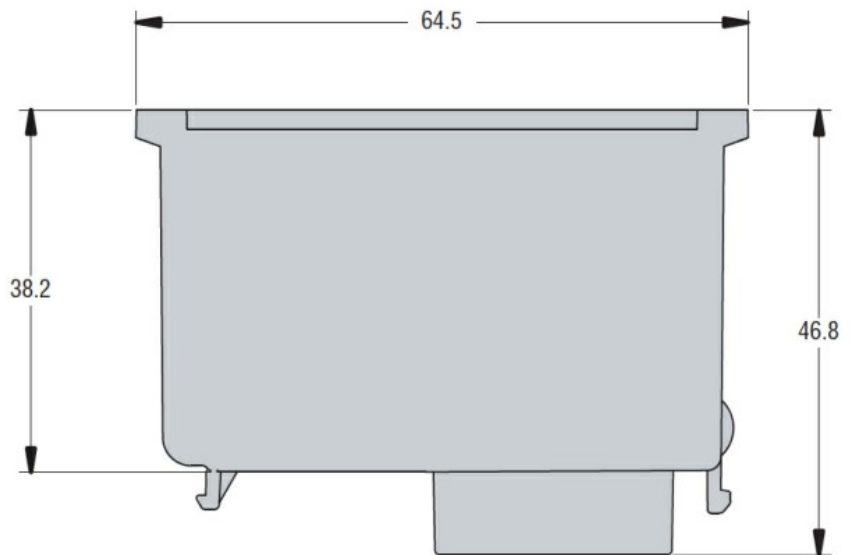
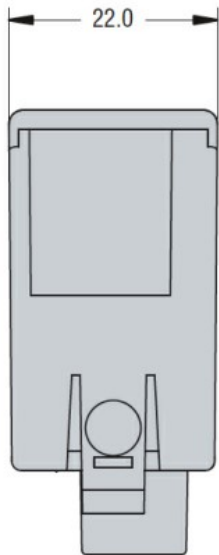
Input and Output

Digital outputs	Number of digital output	Nr.	2
-----------------	--------------------------	-----	---

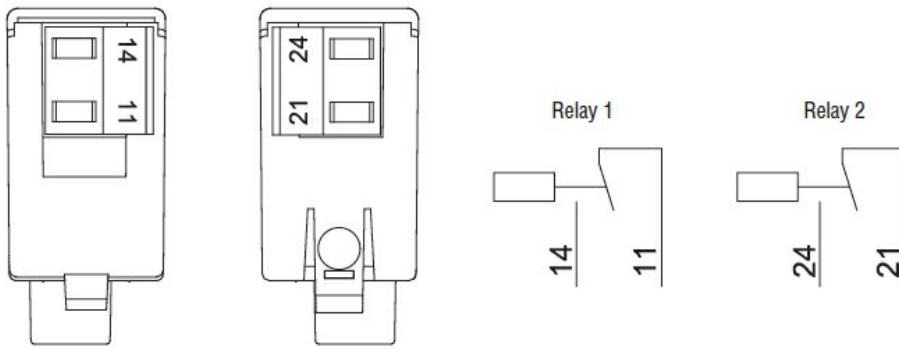
Mechanical features

Weight	g	64
--------	---	----

Dimensions



Wiring diagrams



Certifications and compliance

Compliance

CSA C22.2 n° 14

IEC/EN 61000-6-2

IEC/EN 61000-6-3

IEC/EN 61010-1

UL508

Certificates

cULus

EAC

ETIM classification

ETIM 8.0

EC002498 -
Accessories/spare
parts for low-
voltage switch
technology