



General characteristics

Description	2 opto-isolated digital inputs and 2 relay outputs rated 5A 250VAC	
Functions	Inputs and outputs	
Rated power supply voltage	5A 250VAC	
Compatibility with LOVATO Electric product		
Digital multimeters	DMG600/601/611	Yes
Digital power analyzers	DMG7000 DMG7500 DMG8000 DMG9000	Yes Yes Yes Yes
Automatic power factor controllers	DCRG8	Yes
Automatic transfer switch contrllers	ATL610 ATL800/900	Yes Yes
Fire pump controllers	FFLRA400	Yes
Engine and generator controllers	RGK750/RGK8/RGK9	Yes

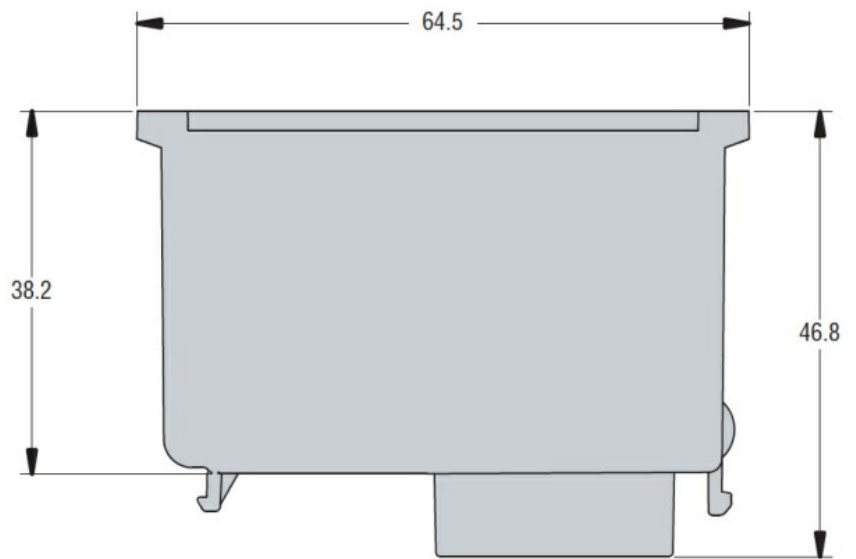
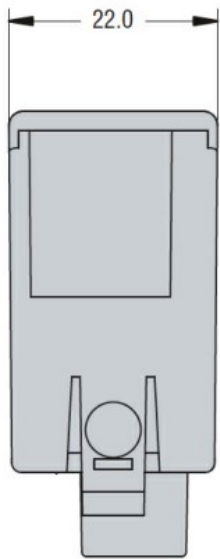
Input and Output

Digital inputs	Number of digital input	Nr.	2
Digital outputs	Number of digital output	Nr.	2

Mechanical features

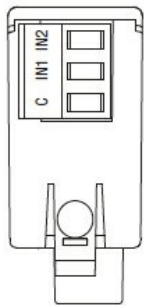
Weight	g	58
--------	---	----

Dimensions



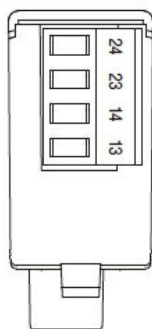
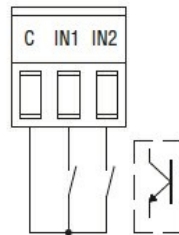
Wiring diagrams

Disposizione morsetti degli ingressi digitali
Terminal arrangement of digital inputs



Ingressi da contatto non tensionato
Free voltage contact inputs

Connessione PNP
PNP connection



OUT 1



OUT 2



Certifications and compliance

Compliance

CSA C22.2 n° 14

IEC/EN 61000-6-2

IEC/EN 61000-6-3

IEC/EN 61010-1

UL508

Certificates

cULus

EAC

ETIM classification

ETIM 8.0

EC002498 -
Accessories/spare
parts for low-
voltage switch
technology