



**General characteristics**

Description		Opto-isolated USB interface
Functions		Communication ports
Compatibility with LOVATO Electric product		
IP		
	PMVF30	Yes
	PMVF3000	Yes
Digital multimeters		
	DMG600/601/611	Yes
Digital power analyzers		
	DMG7000	Yes
	DMG7500	Yes
	DMG8000	Yes
	DMG9000	Yes
Automatic power factor controllers		
	DCRL3/5	Yes
	DCRL8	Yes
	DCRG8F	Yes
	DCRG8	Yes
Automatic transfer switch contrllers		
	ATL610	Yes
	ATL800/900	Yes
Engine and generator controllers		
	RGK610	Yes
	RGK750/RGK8/RGK9	Yes

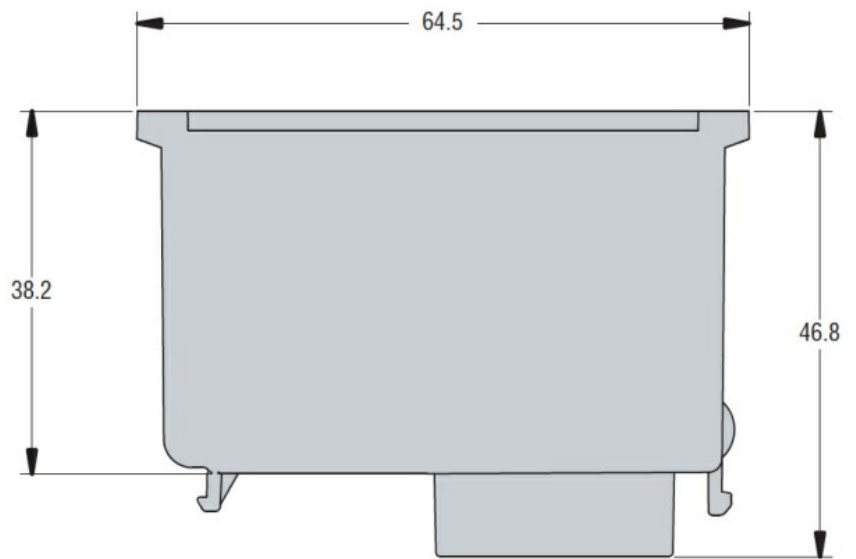
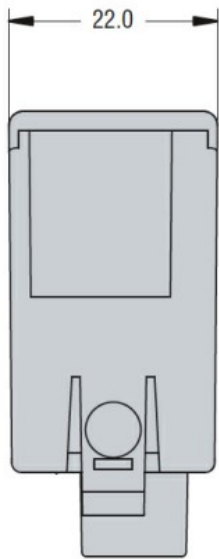
**Communications**

Type of communication port	USB
----------------------------	-----

**Mechanical features**

Weight	g	60
--------	---	----

**Dimensions**



**Certifications and compliance**

Compliance

CSA C22.2 n° 14

IEC/EN 61000-6-2

IEC/EN 61000-6-4

IEC/EN 61010-1

UL508

Certificates

cULus

EAC

**ETIM classification**

ETIM 8.0

EC002498 -  
Accessories/spare  
parts for low-  
voltage switch  
technology