



**General characteristics**

Description		Opto-isolated RS232 interface
Functions		Communication ports
Compatibility with LOVATO Electric product		
IP	PMVF3000	Yes
Digital multimeters	DMG600/601/611	Yes
Digital power analyzers	DMG7000 DMG7500 DMG8000 DMG9000	Yes Yes Yes Yes
Automatic power factor controllers	DCRL3/5 DCRG8	Yes Yes
Automatic transfer switch controllers	ATL610 ATL800/900	Yes Yes
Fire pump controllers	FFLRA400	Yes
Engine and generator controllers	RGK610 RGK750/RGK8/RGK9	Yes Yes

**Communications**

Type of communication port	Serial
----------------------------	--------

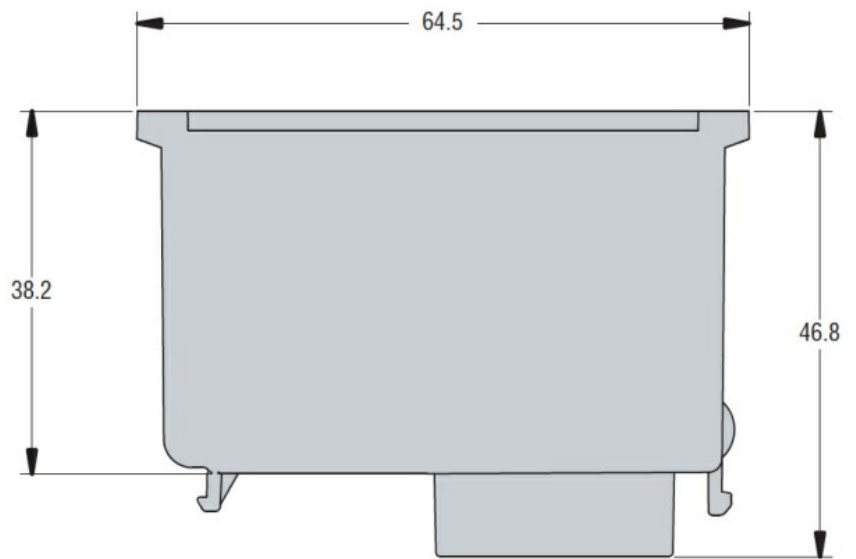
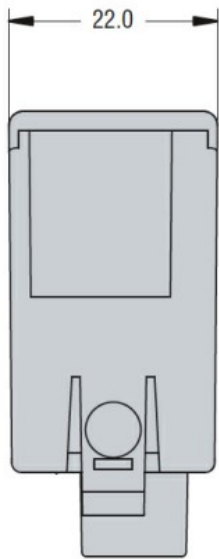
**Interface**

RS232 communication	Yes
---------------------	-----

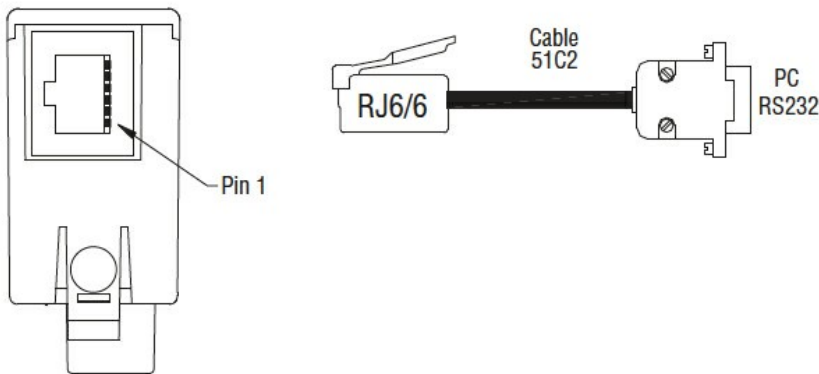
**Mechanical features**

Weight	g	40
--------	---	----

**Dimensions**



**Wiring diagrams**



**Certifications and compliance**

**Compliance**

- CSA C22.2 n° 14
- IEC/EN 61000-6-2
- IEC/EN 61000-6-3
- IEC/EN 61010-1
- UL508

**Certificates**

- cULus
- EAC

**ETIM classification**

ETIM 8.0

EC002498 -  
 Accessories/spare  
 parts for low-  
 voltage switch  
 technology