



General characteristics

| | | |
|--|------------------|----------------------------------|
| Description | | Opto-isolated RS485 interface |
| Functions | | Communication ports |
| Compatibility with LOVATO Electric product | | |
| IP | | |
| | PMVF30 | Yes |
| | PMVF3000 | Yes |
| Digital multimeters | | |
| | DMG600/601/611 | Yes |
| Digital power analyzers | | |
| | DMG7000 | Yes |
| | DMG7500 | Yes |
| | DMG8000 | Yes |
| | DMG9000 | Yes |
| Automatic power factor controllers | | |
| | DCRL3/5 | Yes |
| | DCRL8 | Yes |
| | DCRG8F | Yes |
| | DCRG8 | Yes |
| Automatic transfer switch controllers | | |
| | ATL610 | Yes |
| | ATL800/900 | Yes |
| Fire pump controllers | | |
| | FFLRA400 | Yes |
| Engine and generator controllers | | |
| | RGK610 | Yes |
| | RGK750/RGK8/RGK9 | Yes |
| | GLCM... | Yes |

Communications

| | |
|----------------------------|--------|
| Type of communication port | Serial |
|----------------------------|--------|

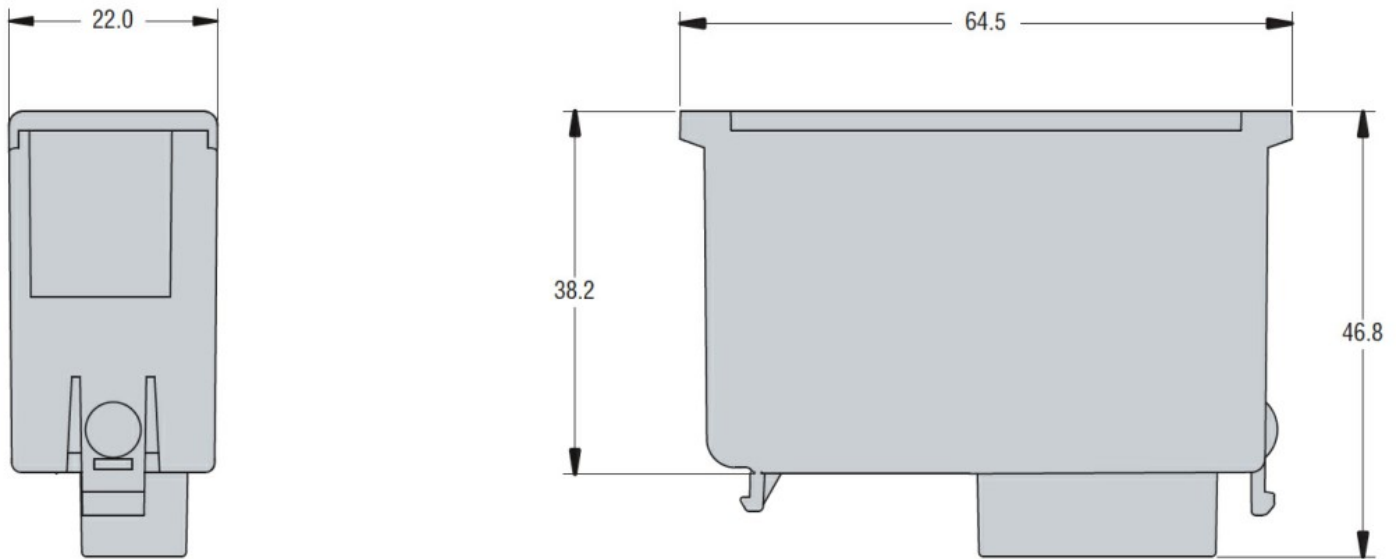
Interface

| | |
|---------------------|-----|
| RS485 communication | Yes |
|---------------------|-----|

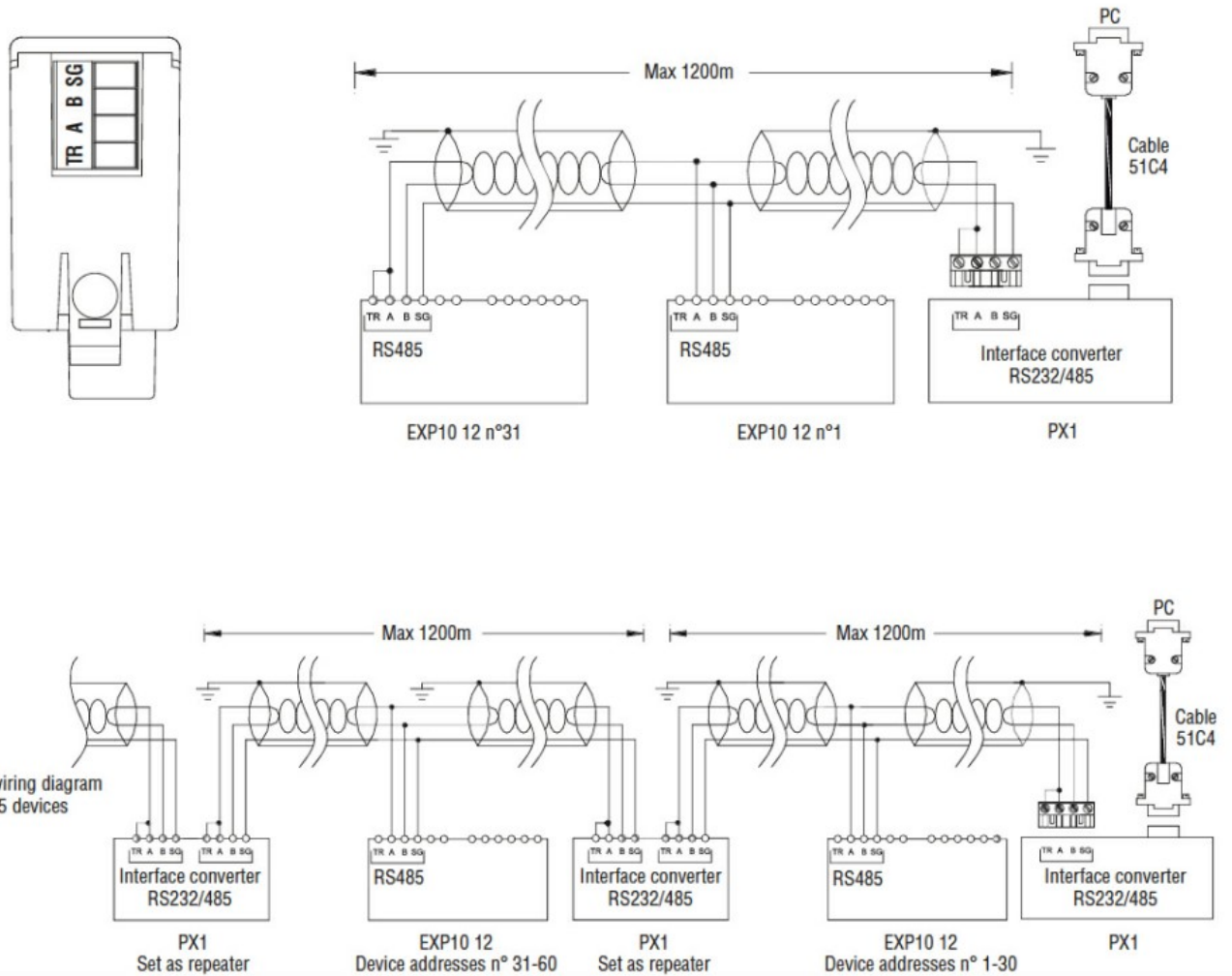
Mechanical features

| | | |
|--------|---|----|
| Weight | g | 50 |
|--------|---|----|

Dimensions



Wiring diagrams



Certifications and compliance

Compliance

- CSA C22.2 n° 14
- IEC/EN 61000-6-2
- IEC/EN 61000-6-3
- IEC/EN 61010-1
- UL508

Certificates

cULus

EAC

ETIM classification

ETIM 8.0

EC002498 -
Accessories/spare
parts for low-
voltage switch
technology