



General characteristics

Description		Opto-isolated RS485 interface
Functions		Communication ports
Compatibility with LOVATO Electric product		
IP		
	PMVF3000	Yes
Digital multimeters		
	DMG600/601/611	Yes
Digital power analyzers		
	DMG7000	Yes
	DMG7500	Yes
	DMG8000	Yes
	DMG9000	Yes
Automatic power factor controllers		
	DCRL3/5	Yes
	DCRG8	Yes
Automatic transfer switch controllers		
	ATL610	Yes
	ATL800/900	Yes
Fire pump controllers		
	FFL800	Yes
	FFLRA400	Yes
Engine and generator controllers		
	RGK610	Yes
	RGK750/RGK8/RGK9	Yes

Communications

Type of communication port	Serial
----------------------------	--------

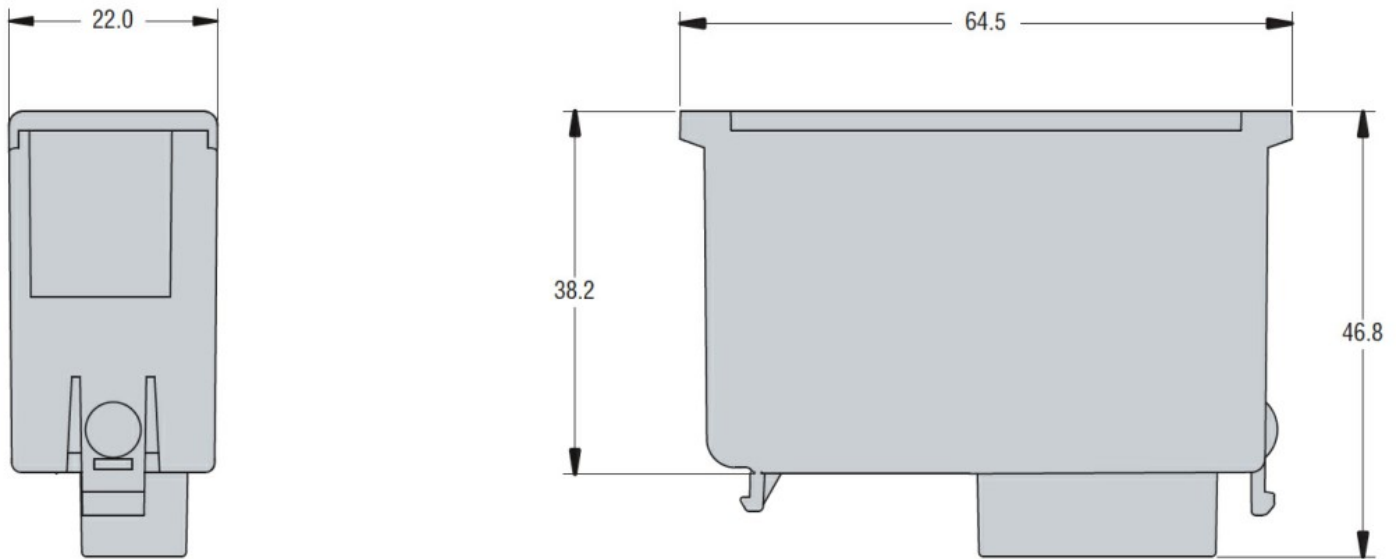
Interface

RS485 communication	Yes
---------------------	-----

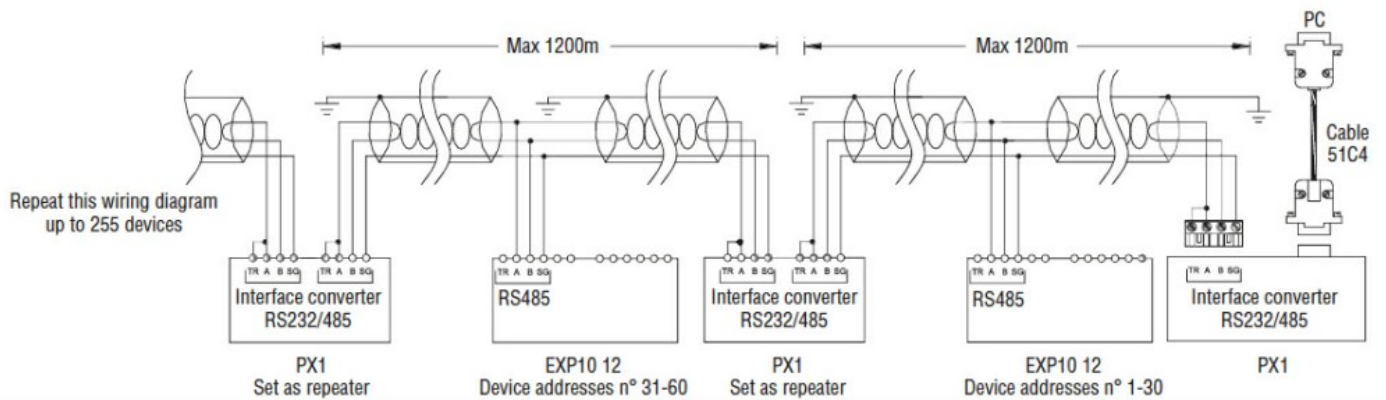
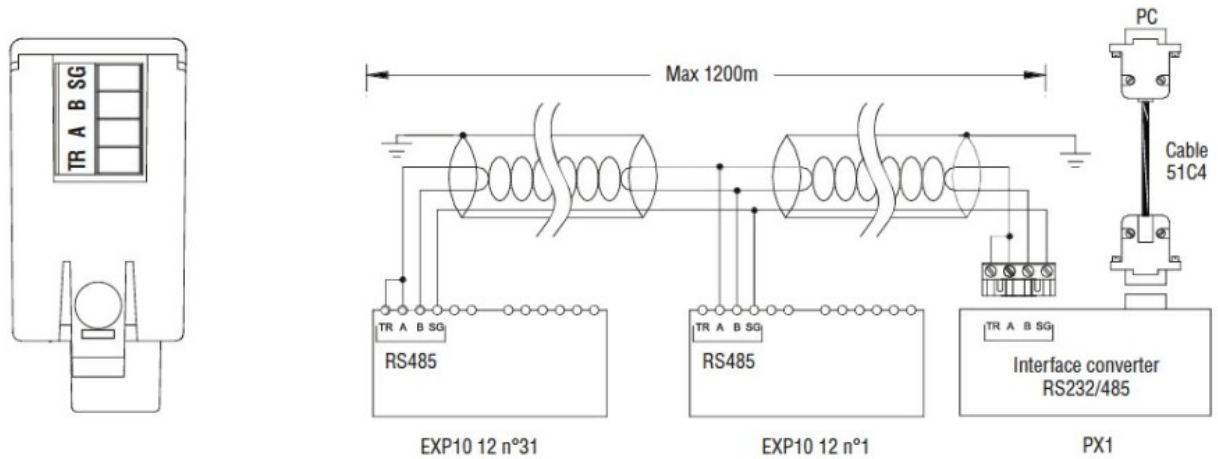
Mechanical features

Weight	g	50
--------	---	----

Dimensions



Wiring diagrams



Certifications and compliance

Compliance

- CSA C22.2 n° 14
- IEC/EN 61000-6-2
- IEC/EN 61000-6-3
- IEC/EN 61010-1
- UL508

Certificates

cULus

EAC

ETIM classification

ETIM 8.0

EC002498 -
Accessories/spare
parts for low-
voltage switch
technology