



**General characteristics**

Description		Opto-isolated Ethernet interface
Functions		Communication ports
Compatibility with LOVATO Electric product		
IP		
	PMVF30	Yes
	PMVF3000	Yes
Digital multimeters		
	DMG600/601/611	Yes
Digital power analyzers		
	DMG7000	Yes
	DMG7500	Yes
	DMG8000	Yes
	DMG9000	Yes
Automatic power factor controllers		
	DCRL8	Yes
	DCRG8F	Yes
	DCRG8	Yes
Automatic transfer switch controllers		
	ATL610	Yes
	ATL800/900	Yes
Fire pump controllers		
	FFLRA400	Yes
Engine and generator controllers		
	RGK750/RGK8/RGK9	Yes

**Communications**

Type of communication port	Ethernet
----------------------------	----------

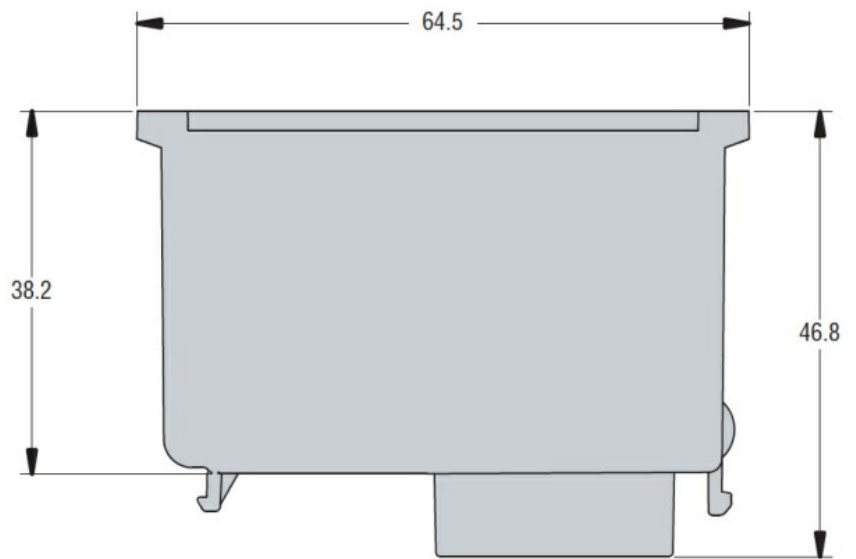
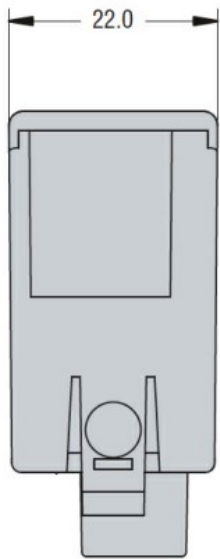
**Interface**

Ethernet communication	Yes
------------------------	-----

**Mechanical features**

Weight	g	60
--------	---	----

**Dimensions**



**Certifications and compliance**

Compliance

CSA C22.2 n° 14  
 IEC/EN 61000-6-2  
 IEC/EN 61000-6-3  
 IEC/EN 61010-1  
 UL508

Certificates

cULus  
 EAC

**ETIM classification**

ETIM 8.0

EC002498 -  
 Accessories/spare  
 parts for low-  
 voltage switch  
 technology