



General characteristics

Description		Opto-isolated Ethernet interface
Functions		Communication ports
Compatibility with LOVATO Electric product		
Digital multimeters	DMG600/601/611	Yes
Digital power analyzers	DMG7000 DMG7500 DMG8000 DMG9000	Yes Yes Yes Yes
Automatic power factor controllers	DCRL8 DCRG8	Yes Yes
Automatic transfer switch contrllers	ATL610 ATL800/900	Yes Yes
Fire pump controllers	FFL800 FFLRA400	Yes Yes
Engine and generator controllers	RGK750/RGK8/RGK9	Yes

Communications

Type of communication port Ethernet

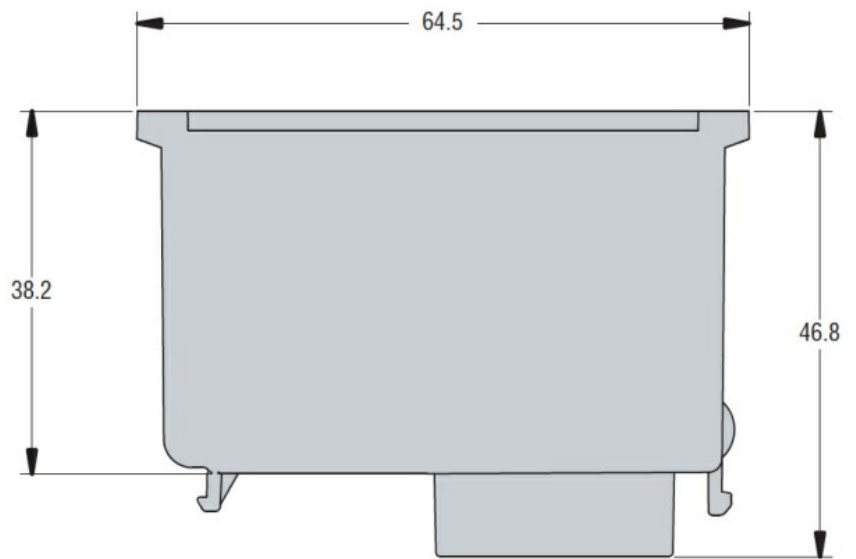
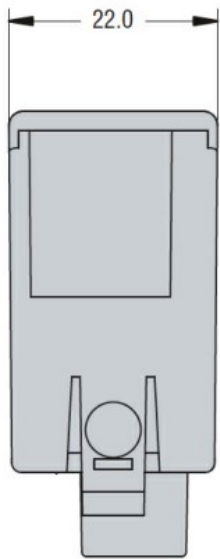
Interface

Ethernet communication Yes

Mechanical features

Weight g 60

Dimensions



Certifications and compliance

Compliance

- CSA C22.2 n° 14

- IEC/EN 61000-6-2

- IEC/EN 61000-6-3

- IEC/EN 61010-1

- UL508

Certificates

- cULus

- EAC

ETIM classification

ETIM 8.0

EC002498 -
 Accessories/spare
 parts for low-
 voltage switch
 technology