



General characteristics

Description	Opto-isolated Profibus-DP interface	
Functions	Communication ports	
Compatibility with LOVATO Electric product		
Digital power analyzers	DMG7000	Yes
	DMG7500	Yes
	DMG8000	Yes
	DMG9000	Yes
Automatic power factor controllers	DCRG8	Yes
Automatic transfer switch controllers	ATL800/900	Yes

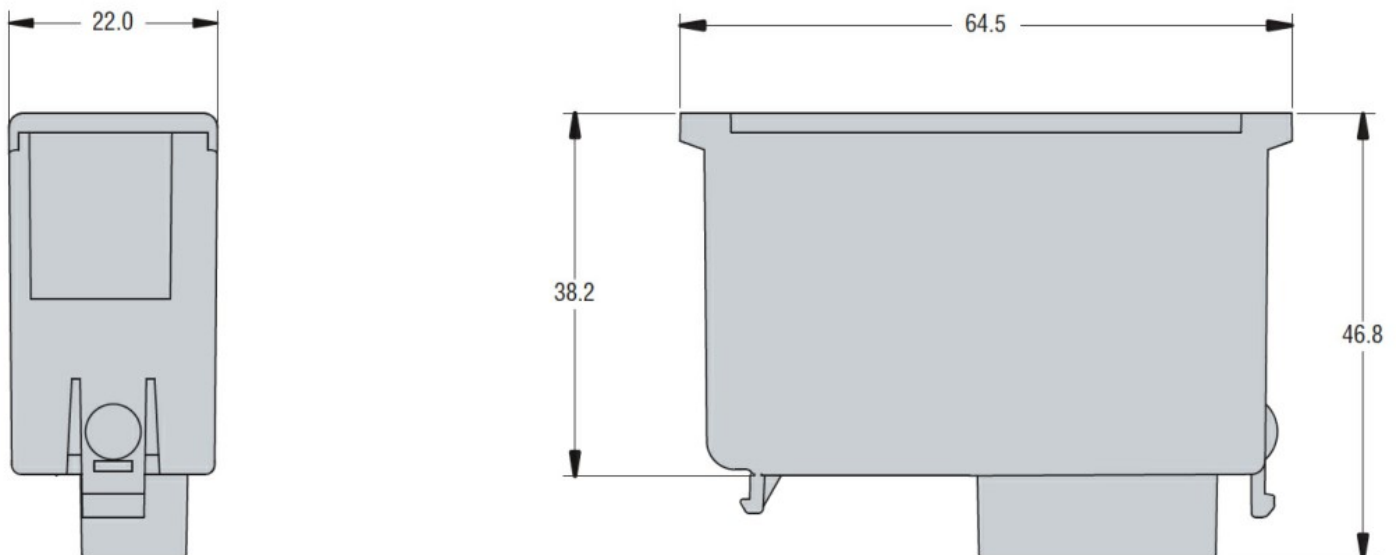
Communications

Type of communication port	Profibus
----------------------------	----------

Mechanical features

Weight	g	80
--------	---	----

Dimensions



Certifications and compliance

Compliance	CSA C22.2 n° 14
	IEC/EN 61000-6-2
	IEC/EN 61000-6-3
	IEC/EN 61010-1
	UL508

Certificates

cULus
EAC

ETIM classification

ETIM 8.0

EC002498 -
Accessories/spare
parts for low-
voltage switch
technology