



General characteristics

Description	GPRS/GSM modem	
Functions	Communication ports	
Compatibility with LOVATO Electric product		
Automatic power factor controllers	DCRG8	Yes
Fire pump controllers	FFL800 FFLRA400	Yes Yes
Engine and generator controllers	RGK750/RGK8/RGK9	Yes

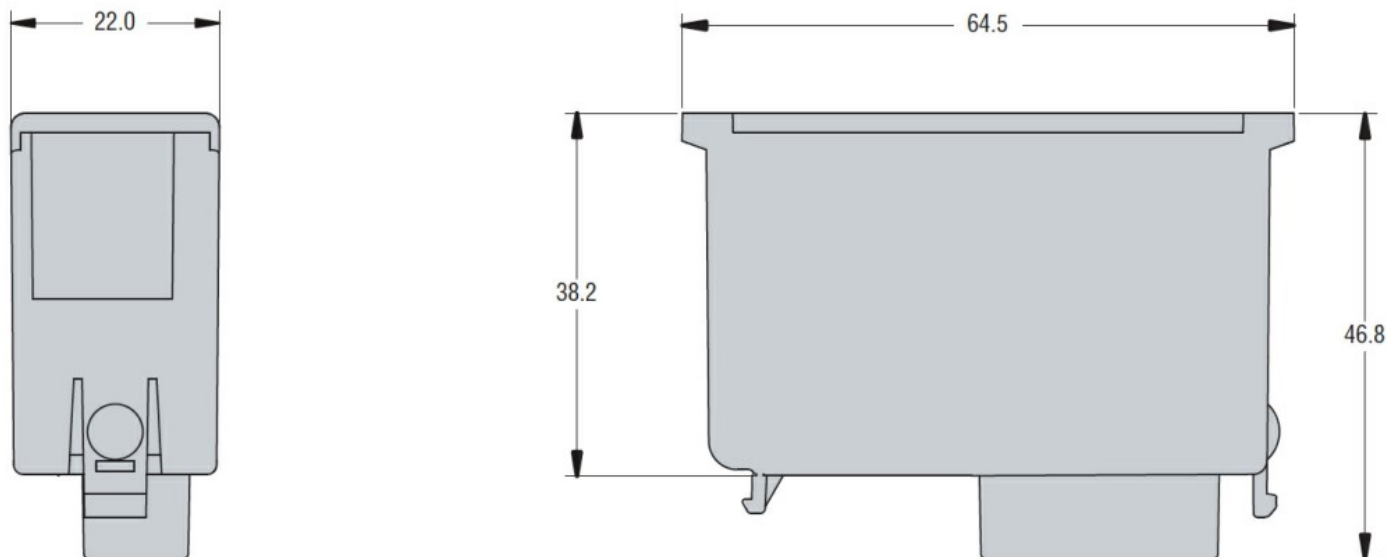
Monitoring method

Transmission technology	GSM-GPRS (2G)
Connectivity with Synergy and Xpress	Yes
SMS and mail sending	Yes

Mechanical features

Weight	g	80
--------	---	----

Dimensions



Certifications and compliance

Compliance

CAN/ICES-003

EN 301511

ETSI EN 301 469-7

ETSI EN 301 489-1

IEC/EN 61010-1

IEC/EN 62311

Subpart B

USA/FCC 47 CFR part 15

Certificates

cULus
EAC

ETIM classification

ETIM 8.0

EC002498 -
Accessories/spare
parts for low-
voltage switch
technology