



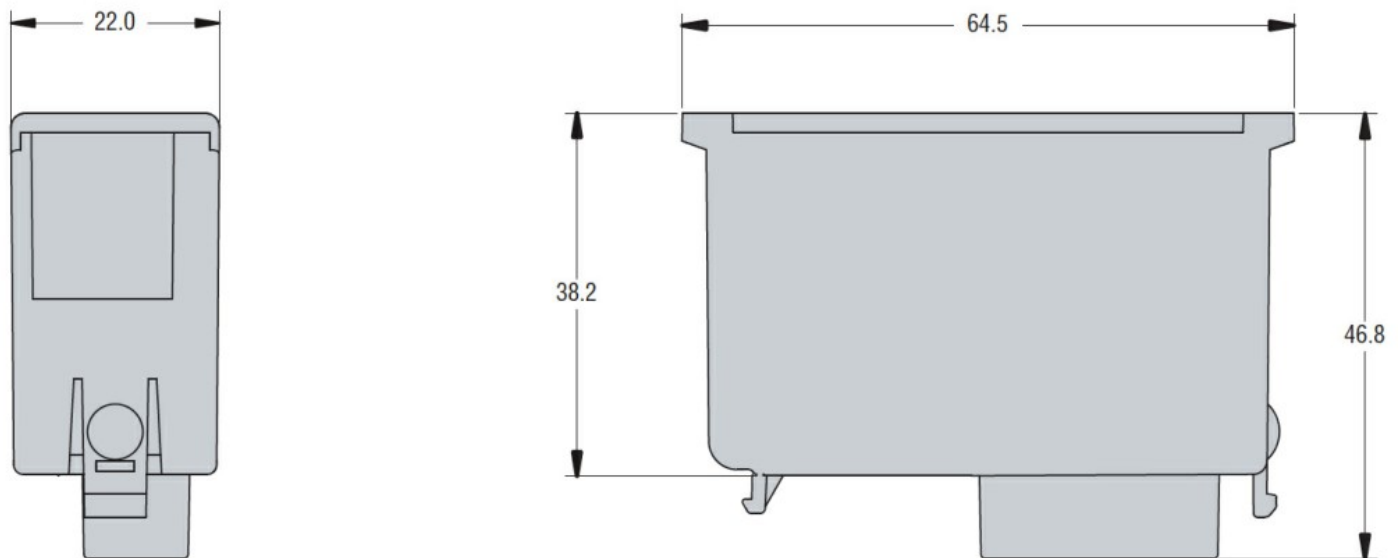
General characteristics

Description	Data storage, clock-calendar
Functions	Data storage
Compatibility with LOVATO Electric product	
Automatic power factor controllers	DCRG8 Yes
Automatic transfer switch controllers	ATL800/900 Yes

Mechanical features

Weight	g	50
--------	---	----

Dimensions



Certifications and compliance

Compliance	CSA C22.2 n° 14
	IEC/EN 61000-6-2
	IEC/EN 61000-6-3
	IEC/EN 61010-1
	UL508
Certificates	cULus
	EAC

ETIM classification

ETIM 8.0	EC002498 - Accessories/spare parts for low-voltage switch technology
----------	--