



General characteristics

Description

Data storage, clock-calendar with Energy Quality (EN 50160)

Functions

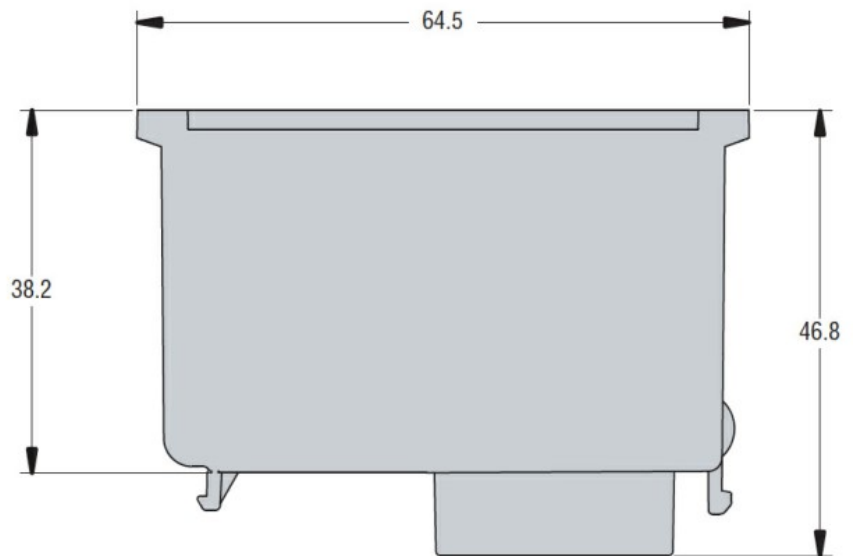
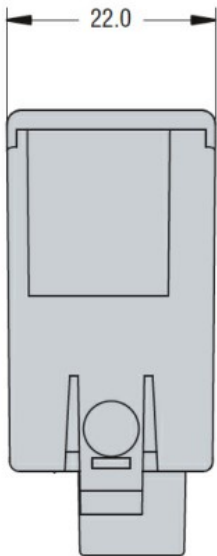
Data storage

Mechanical features

Weight

g 50

Dimensions



Certifications and compliance

Compliance

CSA C22.2 n° 14

IEC/EN 61000-6-2

IEC/EN 61000-6-3

IEC/EN 61010-1

UL508

Certificates

cULus

EAC

ETIM classification

ETIM 8.0

EC002498 - Accessories/spare parts for low-voltage switch technology