



### General characteristics

Description	6 digital inputs	
Functions	Inputs and outputs	
Compatibility with LOVATO Electric product		
Automatic power factor controllers	DCRG8	Yes
Fire pump controllers	FFL800	Yes
	FFLRA400	Yes
Engine and generator controllers	RGK610	Yes
	RGK750/RGK8/RGK9	Yes

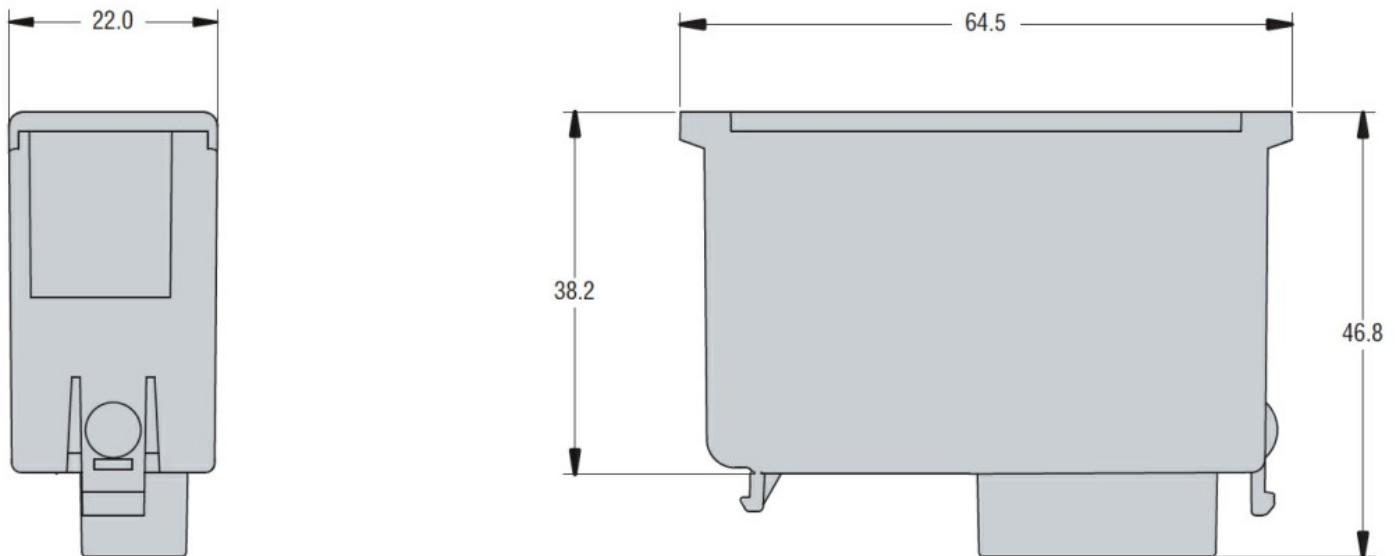
### Input and Output

Digital inputs	Number of digital input	Nr.	6
----------------	-------------------------	-----	---

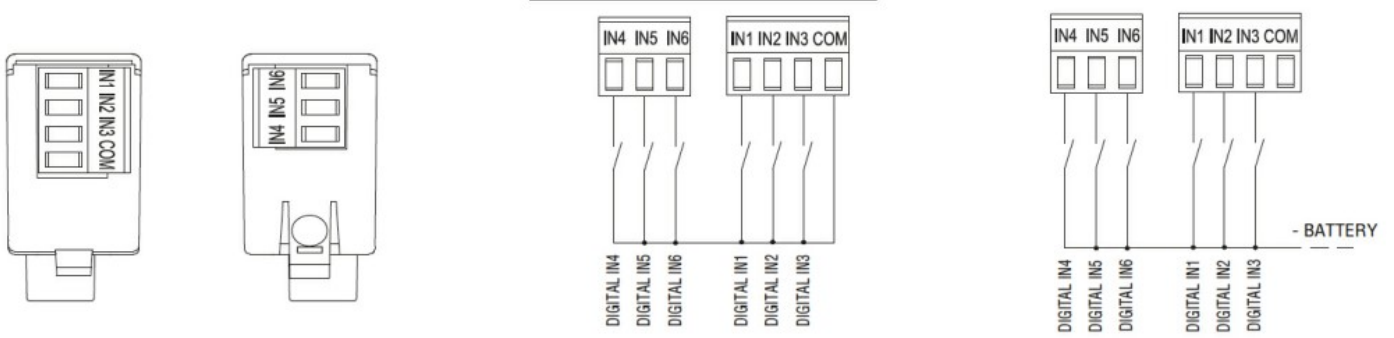
### Mechanical features

Weight	g	54
--------	---	----

### Dimensions



### Wiring diagrams



**Certifications and compliance**

Compliance

CAN/CSA C22.2 n°14-13

IEC/EN 60947-6-1

IEC/EN 61000-6-2

IEC/EN 61000-6-3

IEC/EN 61010-1

IEC/EN 61010-2-030

UL508

Certificates

cULus

**ETIM classification**

ETIM 8.0

EC002498 -  
Accessories/spare  
parts for low-  
voltage switch  
technology