



Electrical features

IEC maximum rated current (In)	A	32
IEC maximum rated voltage (Un)	V	1000
IEC Utilization category		DC20B 1000VDC
Power dissipation Max	W	4
Derating factor of rated current In for different ambient temperature	20°C	1
	30°C	0.95
	40°C	0.9
	50°C	0.8
	60°C	0.7
	70°C	0.5

Derating factor of rated current In for side by side fuse holders (poles)	1-4	1
	5-6	0.8
	7-9	0.7
	≥10	0.6

Rated current (In)	A	32
--------------------	---	----

Ambient conditions

Operating temperature	min	°C	-20
	max	°C	+70

Storage temperature	min	°C	-40
	max	°C	+80

Max altitude	m	3000
--------------	---	------

Mechanical features

Operating position	normal allowable	Vertical plan Any
--------------------	------------------	----------------------

Fixing		35mm DIN rail
--------	--	---------------

Tightening torque for terminals	max	Nm	2.5
	max	Ibin	22

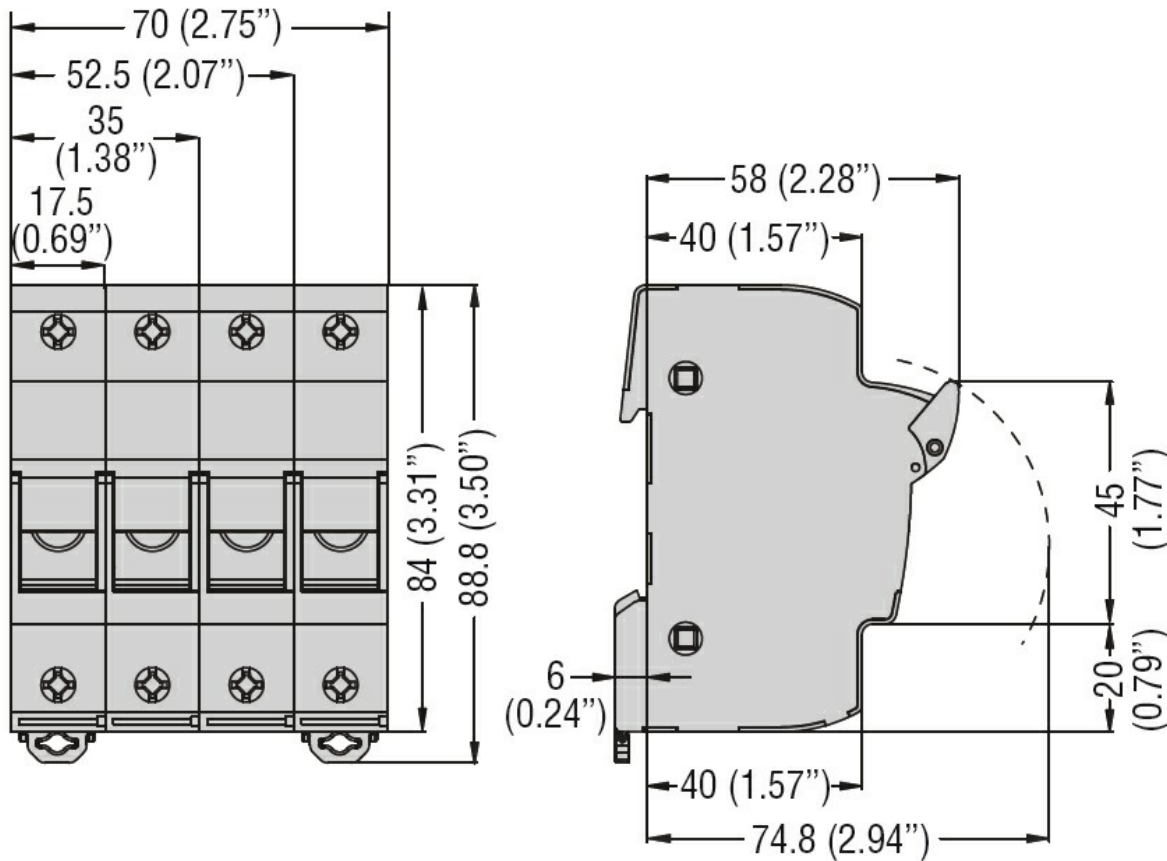
Conductor section	Flexible max (IEC)	mm ²	16
	- Flexible max (AWG/kcmil)		8
	Rigid max (IEC)	mm ²	16
	- Rigid max (AWG/kcmil)		8

Weight	g	127
--------	---	-----

Resistance & Protection

Frontal IP degree		IP20
-------------------	--	------

Dimensions



Wiring diagrams



Certifications and compliance

Compliance

- CSA C22.2 n° 4248.1
- CSA C22.2 n° 4248.18.
- IEC/EN 60269-1
- IEC/EN 60269-2
- IEC/EN 60947-1
- IEC/EN 60947-3
- UL 4248-1
- UL 4248-18

Certifications

- EAC
- UL

ETIM classification

ETIM 8.0

EC002705 -
Holder for
cylindrical fuse