



### Electrical features

IEC maximum rated current (In)	A	50
IEC maximum rated voltage (Un)	V	690
IEC Utilization category		AC22B 500V - AC21B 690V
Power dissipation Max	W	5
Derating factor of rated current In for different ambient temperature	20°C	1
	30°C	0.95
	40°C	0.9
	50°C	0.8
	60°C	0.7
	70°C	0.5

Derating factor of rated current In for side by side fuse holders (poles)	1-4	1
	5-6	0.8
	7-9	0.7
	≥10	0.6

Rated current (In)	A	50
--------------------	---	----

### Ambient conditions

Operating temperature	min	°C	-20
	max	°C	70

Storage temperature	min	°C	-40
	max	°C	80

Max altitude	m	3000
--------------	---	------

### Mechanical features

Operating position	normal allowable	Vertical plan Any
--------------------	---------------------	----------------------

Fixing		35mm DIN rail
--------	--	---------------

Tightening torque for terminals	max	Nm	3
	max	Ibin	2.2

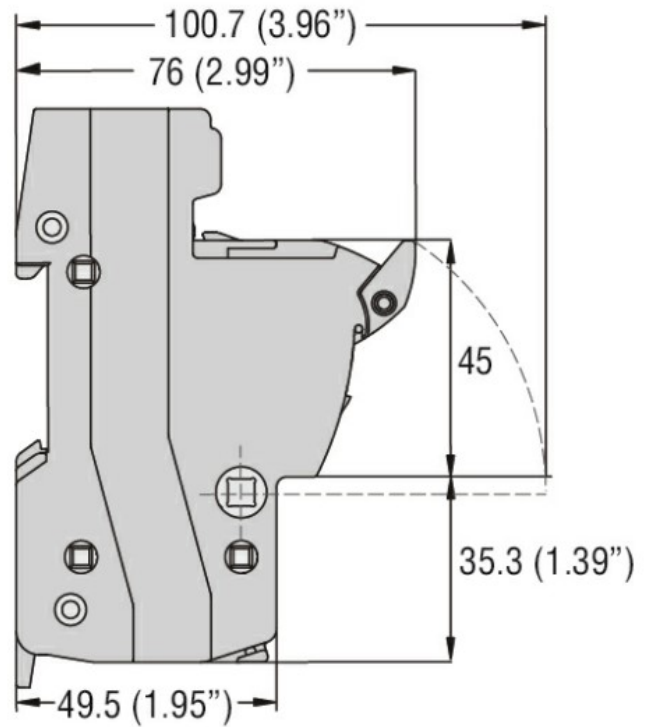
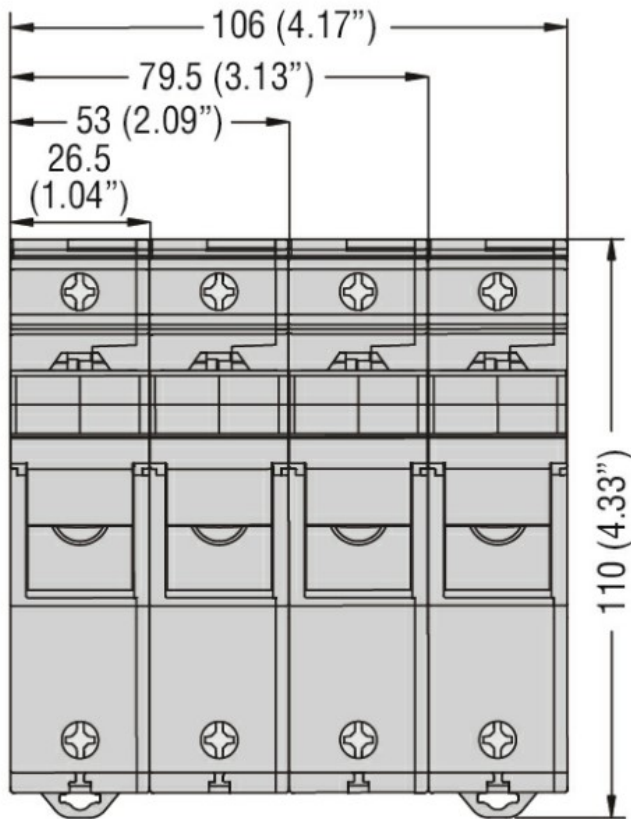
Conductor section	Flexible max (IEC)	mm <sup>2</sup>	25
	- Flexible max (AWG/kcmil)		6
	Rigid max (IEC)	mm <sup>2</sup>	35
	- Rigid max (AWG/kcmil)		8

Weight	g	237
--------	---	-----

### Resistance & Protection

Frontal IP degree		IP20
-------------------	--	------

### Dimensions



Wiring diagrams



1P+N

Certifications and compliance

Compliance

CSA C22.2 n°4248.1

IEC/EN 60269-1

IEC/EN 60269-2

IEC/EN 60947-1

IEC/EN 60947-3

UL 4248-1

Certifications

cUR

EAC

ETIM classification

ETIM 8.0

EC002705 -  
Holder for  
cylindrical fuse