



Electrical features

IEC maximum rated current (In)	A	125
IEC maximum rated voltage (Un)	V	690
IEC Utilization category		AC21B 690V
Power dissipation Max	W	9.5 (max. 12)
Derating factor of rated current In for different ambient temperature		
	20°C	1
	30°C	0.95
	40°C	0.9
	50°C	0.8
	60°C	0.7
	70°C	0.5

Derating factor of rated current In for side by side fuse holders (poles)		
	1-4	1
	5-6	0.8
	7-9	0.7
	≥10	0.6

Rated current (In)	A	100 (max 125)
--------------------	---	---------------

Ambient conditions

Operating temperature			
	min	°C	-20
	max	°C	70

Storage temperature			
	min	°C	-40
	max	°C	80

Max altitude	m	3000
--------------	---	------

Mechanical features

Operating position	normal allowable	Vertical plan Any
--------------------	------------------	-------------------

Fixing		35mm DIN rail
--------	--	---------------

Tightening torque for terminals			
	max	Nm	4
	max	Ibin	2.9

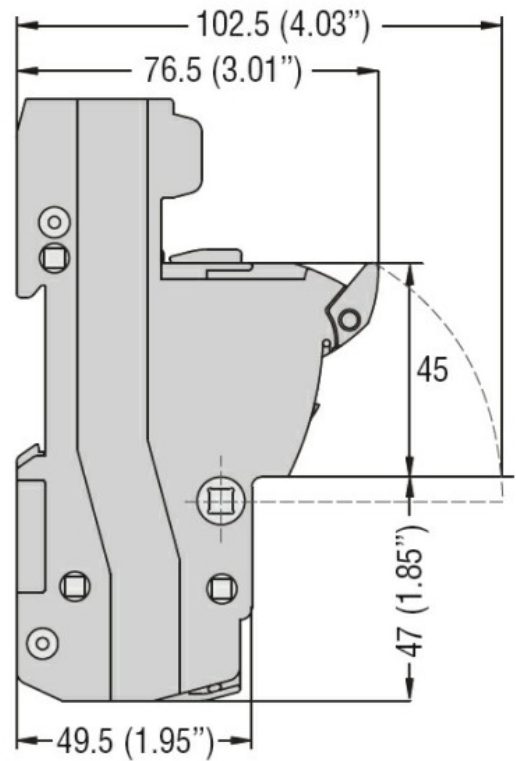
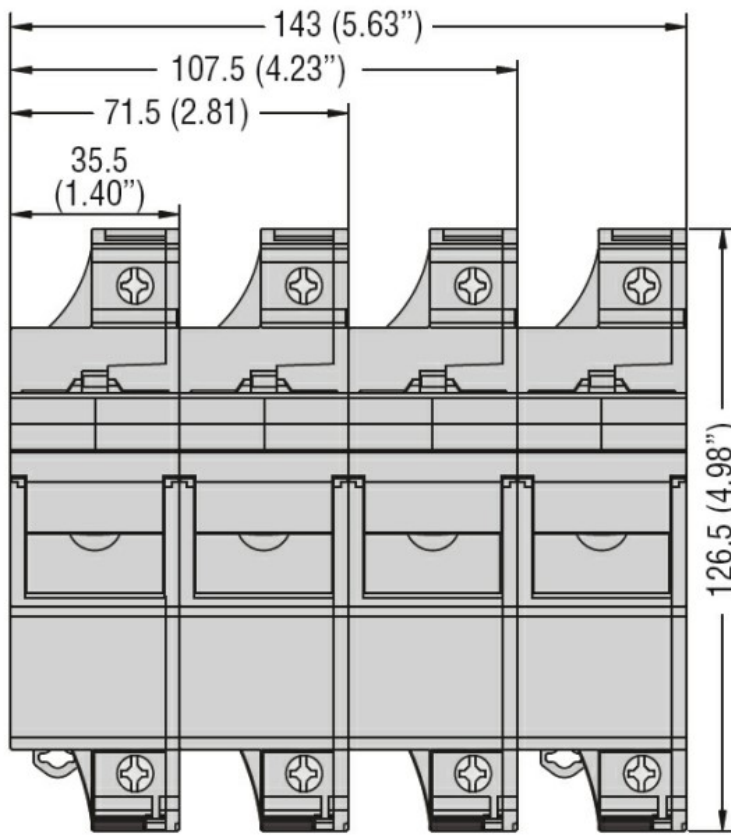
Conductor section			
	Flexible max (IEC)	mm ²	35
	- Flexible max (AWG/kcmil)		2
	Rigid max (IEC)	mm ²	50
	- Rigid max (AWG/kcmil)		1

Weight	g	354
--------	---	-----

Resistance & Protection

Frontal IP degree		IP20
-------------------	--	------

Dimensions



Wiring diagrams



1P+N

Certifications and compliance

Compliance

- CSA C22.2 n°4248.1
- IEC/EN 60269-1
- IEC/EN 60269-2
- IEC/EN 60947-1
- IEC/EN 60947-3
- UL 4248-1

Certifications

- cUR
- EAC

ETIM classification

ETIM 8.0

EC002705 -
Holder for
cylindrical fuse