



#### Auxiliary supply

Rated auxil. supply voltage	24VAC
Operating auxil. supply voltage range	19.2...28.8VAC
Operating frequency range	Hz 45...66Hz

#### Voltage inputs

Rated voltage $U_s$			
	min	VAC	100
	Max	VAC	600
Measurement range		V	100...720
Frequency range		Hz	45...66

#### NTC probe input

Sensor type		NTC (LOVATO code NTC01)
Measuring range	°C	-40...+85
Maximum connection length	mt	3m

#### Digital inputs

Number of digital input	Nr.	8
Digital input type		Negative
Digital input current	mA	≤6
High digital input signal	V	≥4.9V (typical 3.8V)
Low digital input signal	V	≤1.25V (typical 2.3V)
Digital input signal delay	ms	≥50

#### Current inputs

Rated current ( $I_e$ )	A	/1A or /5A
-------------------------	---	------------

#### Relay outputs

Number of relay output	Nr.	7
Mechanical endurance		$10^7$
Electrical endurance		$10^5$

#### Static Outputs

Number of static output		1 (OUT10)
Static output type		NO
Operating voltage	V	10...30VDC
Maximum current	mA	50mA

#### RS485 serial interface

Interface type		Isolated RS485 serial interface
Baud rate	bps	1200...115200
Insulation voltage (RS485-Vbatt)		1kVDC

#### Connections

Type of terminal		Removable screw-type
Conductor cross section		AWG/Kcmil

	min	AWG	24
	Max	AWG	12
<hr/>			
IEC	min	mm <sup>2</sup>	0.2
	Max	mm <sup>2</sup>	2.5
<hr/>			
Tightening torque for terminals	max	Nm	0.56
	max	Ibin	5

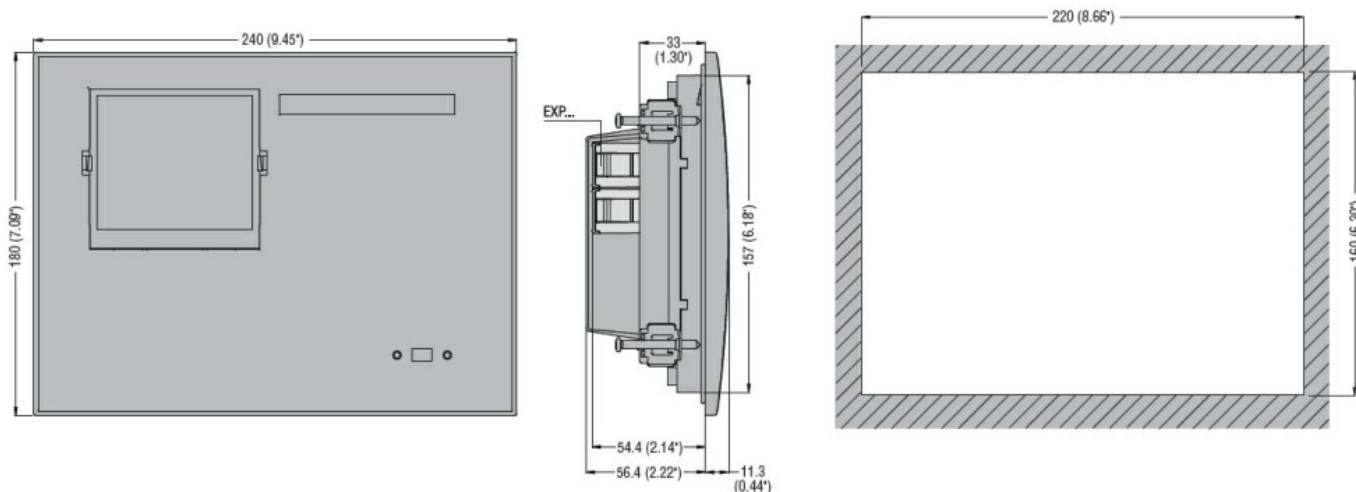
**Ambient conditions**

Temperature			
Operating temperature			
	min	°C	-25
	max	°C	+70
<hr/>			
Storage temperature			
	min	°C	-30
	max	°C	+80
<hr/>			
Relative humidity		%	<80% (IEC/EN 60068-2-78)

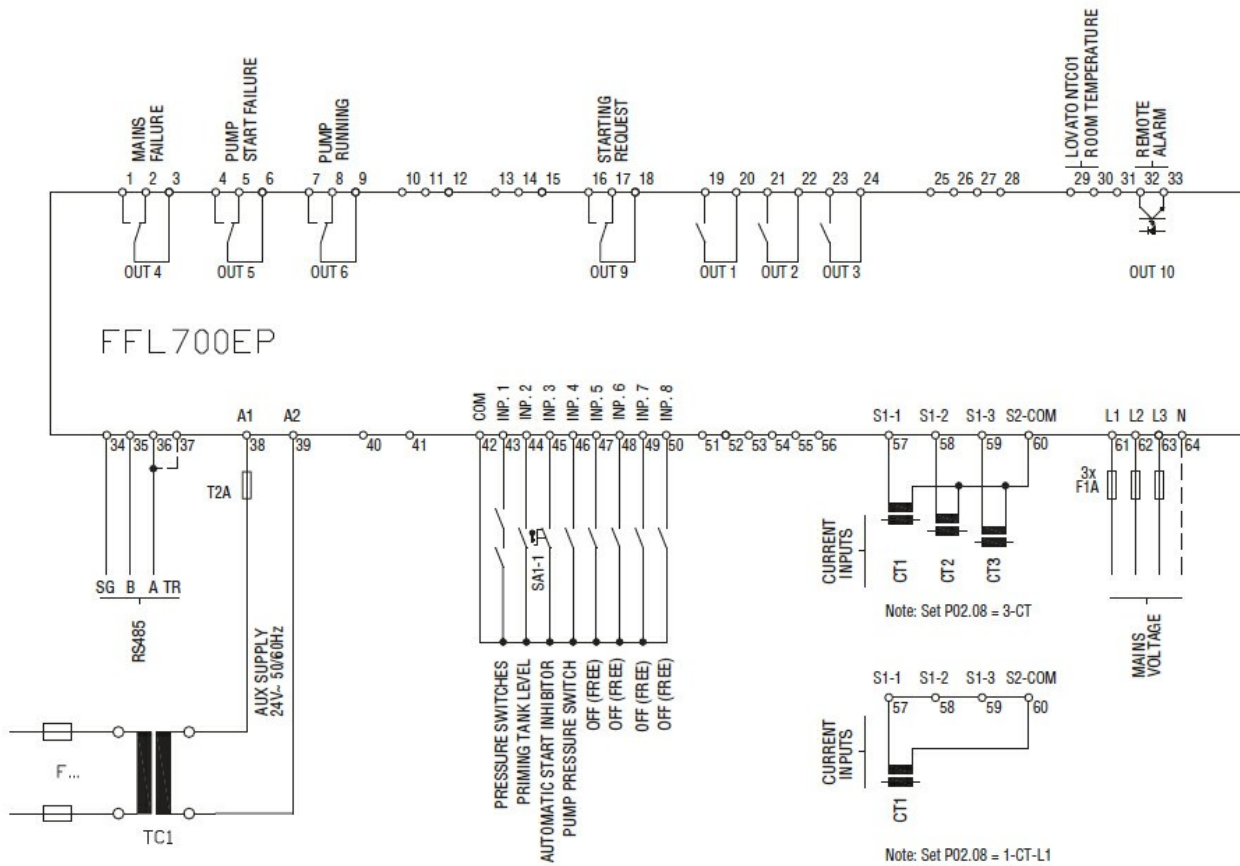
**Housing**

Execution	Flush-mount
Material	Polycarbonate
Degree of protection	IP65 Frontal; IP20 on terminals
Dimensions (W x H x D)	mm 240 x 180 x 43.9
Weight	g 980

**Dimensions**



**Wiring diagrams**



**Certifications and compliance**

**Compliance**

- IEC/EN 61000-6-2
- IEC/EN 61000-6-4
- IEC/EN 61010-1
- IEC/EN 61010-2-030
- UNI EN 12845

**Certificates**

/

**ETIM classification**

ETIM 8.0

EC002685 -  
Central fire alarm  
control panel