



Auxiliary supply			
Rated auxil. supply voltage			24VAC/110...240V ^A
Operating auxil. supply voltage range			19.2...28.8VAC / 90...264VAC
Operating frequency range	Hz		45...66Hz
Voltage inputs			
Rated voltage U _s		min	VAC 100
		Max	VAC 600
Measurement range		V	100...720
Frequency range	Hz		45...66
NTC probe input			
Sensor type			NTC (LOVATO code NTC01)
Measuring range		°C	-40...+85
Maximum connection length		mt	3m
Digital inputs			
Number of digital input		Nr.	8
Digital input type			Negative
Digital input current		mA	≤6
High digital input signal		V	≥4.9V (typical 3.8V)
Low digital input signal		V	≤1.25V (typical 2.3V)
Digital input signal delay		ms	≥50
Current inputs			
Rated current (I _e)		A	/1A or /5A
Relay outputs			
Number of relay output		Nr.	9
Mechanical endurance			10 ⁷
Electrical endurance			10 ⁵
Static Outputs			
Number of static output			1 (OUT10)
Static output type			NO
Operating voltage		V	10...30VDC
Maximum current		mA	50mA
RS485 serial interface			
Interface type			Isolated RS485 serial interface
Baud rate		bps	1200...115200
Insulation voltage (RS485-V _{batt})			1kVDC
Connections			
Type of terminal			Removable screw-type
Conductor cross section			
	AWG/Kcmil		
		min	AWG 24
		Max	AWG 12

IEC

min	mm ²	0.2
Max	mm ²	2.5

Tightening torque for terminals

max	Nm	0.56
max	lbin	5

Ambient conditions

Temperature

Operating temperature

min	°C	-25
max	°C	+70

Storage temperature

min	°C	-30
max	°C	+80

Relative humidity

%	<80% (IEC/EN 60068-2-78)
---	--------------------------

Housing

Execution

Flush-mount

Material

Polycarbonate

Degree of protection

IP65 Frontal; IP20 on terminals

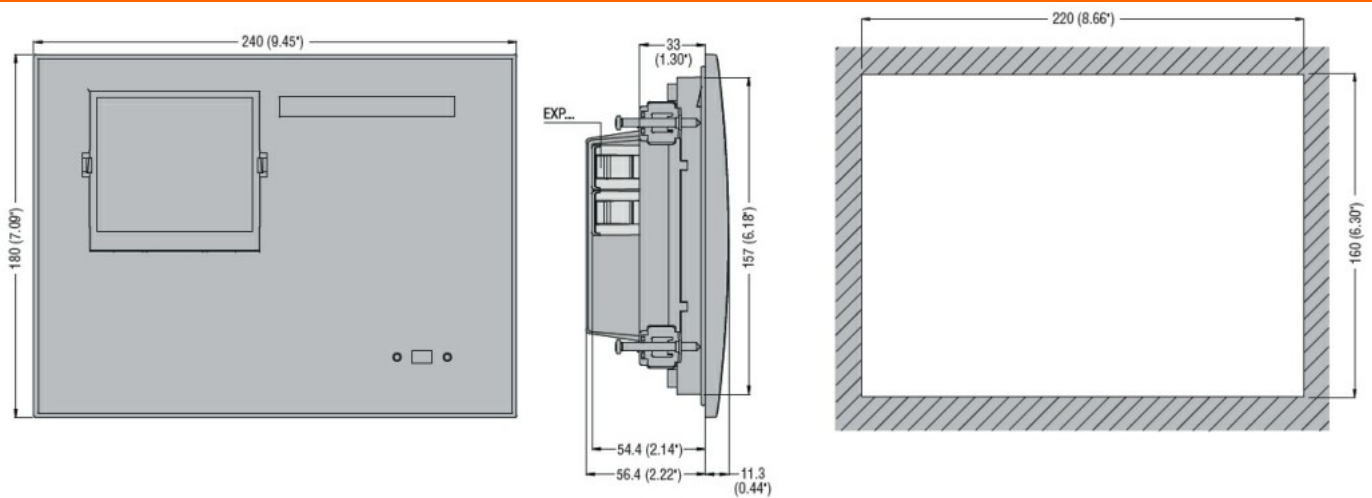
Dimensions (W x H x D)

mm	240 x 180 x 43.9
----	------------------

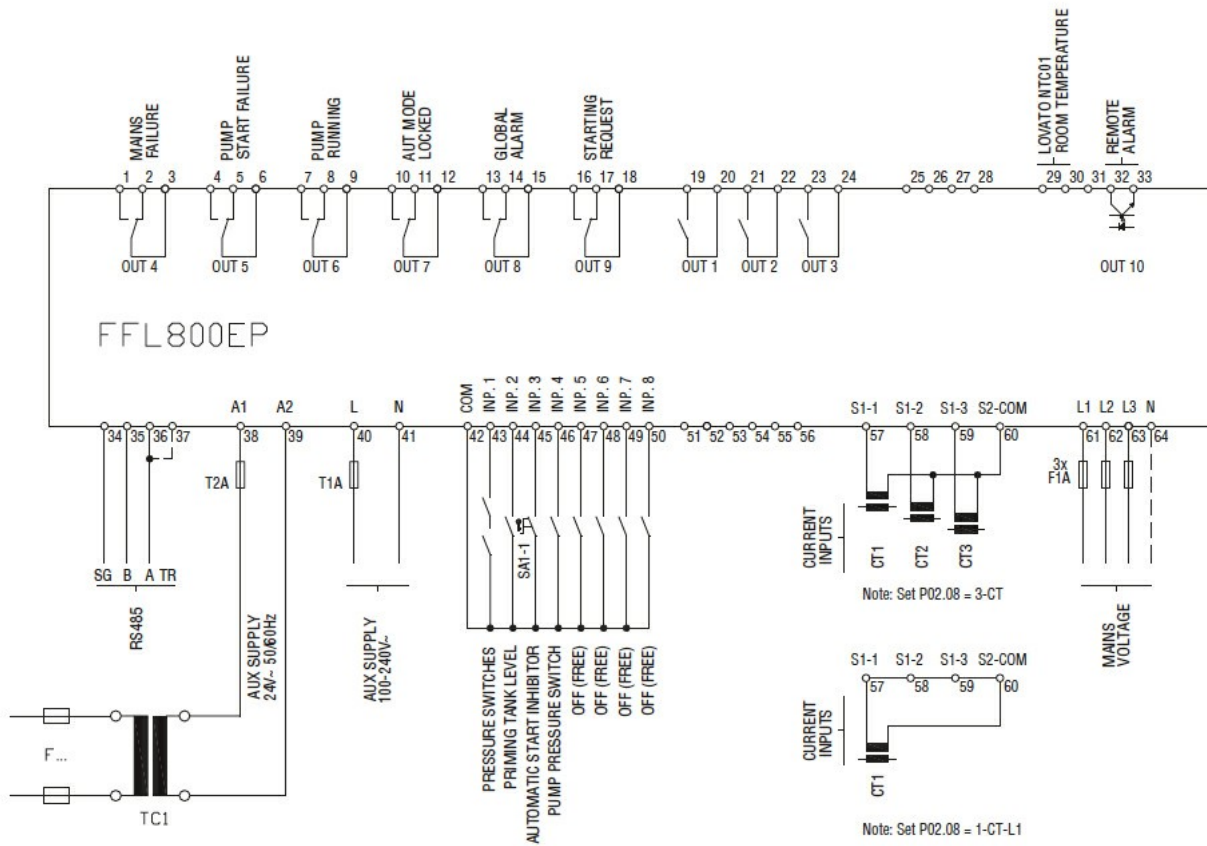
Weight

g	980
---	-----

Dimensions



Wiring diagrams



Certifications and compliance

Compliance

- IEC/EN 61000-6-2
- IEC/EN 61000-6-4
- IEC/EN 61010-1
- IEC/EN 61010-2-030
- UNI EN 12845

Certificates

/

ETIM classification

ETIM 8.0

EC002685 -
Central fire alarm
control panel