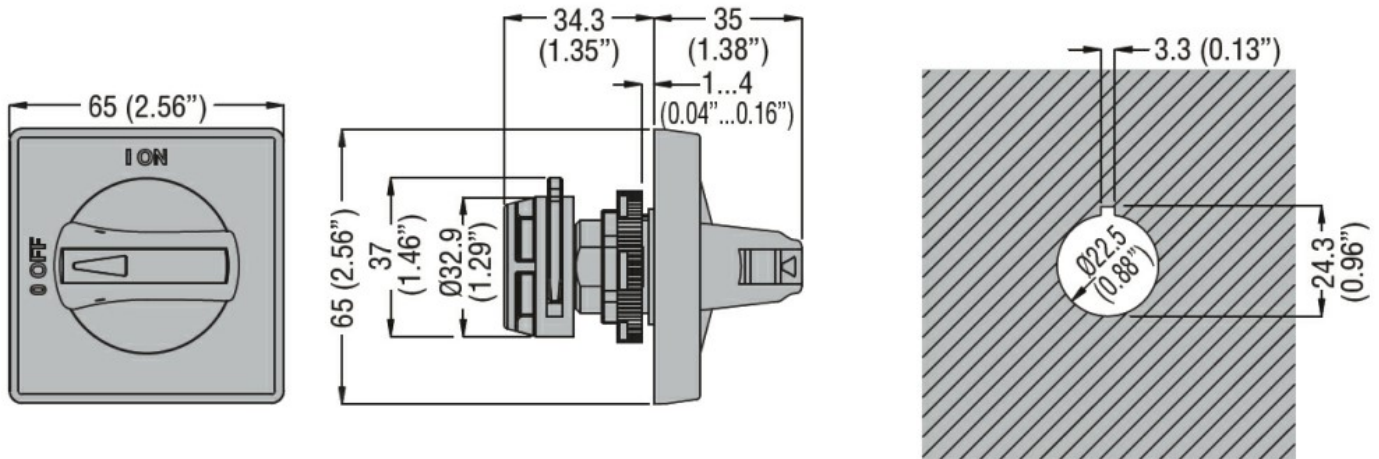




**Dimensions**



**Certifications and compliance**

**Compliance**

CSA C22.2

IEC/EN 60947-1

IEC/EN 60947-3

UL508

UL98

**Certifications**

CSA C22.2 n°60947-4-1

cULus according to UL60947-4-1

EAC

**ETIM classification**

ETIM 8.0

EC000230 -  
 Door coupling  
 handle for  
 switchgear