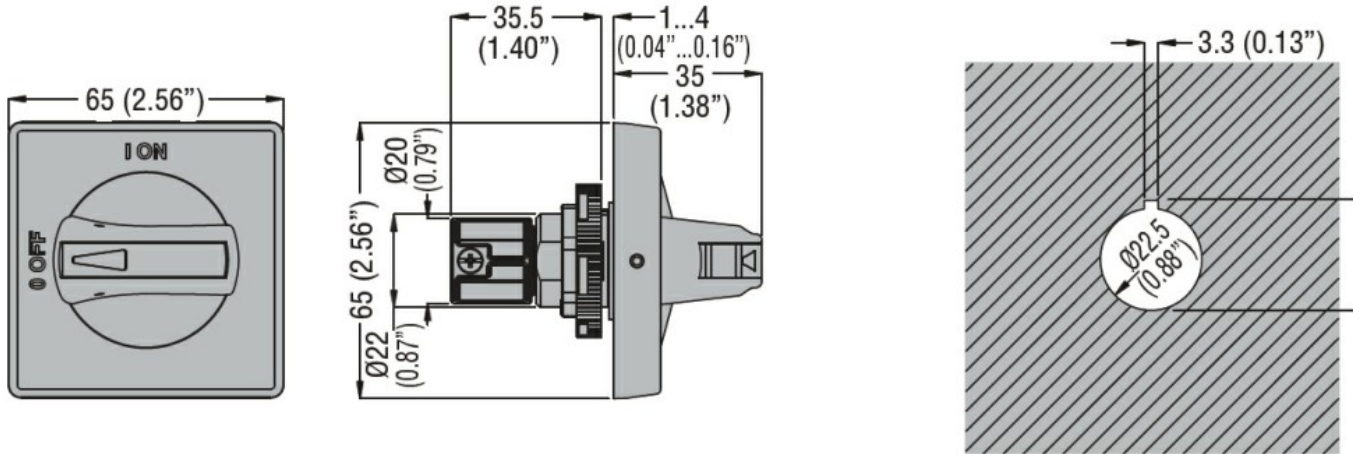




Dimensions



Certifications and compliance

Compliance

CSA C22.2

IEC/EN 60947-1

IEC/EN 60947-3

UL508

UL98

Certifications

CSA C22.2 n°4

CSA C22.2 n°60947-4-1

cULus according to UL60947-4-1

cULus according to UL98

EAC

ETIM classification

ETIM 8.0

EC000230 -
Door coupling
handle for
switchgear