



Contact characteristics

IEC Conventional free air thermal current $I_{th} \leq 40^{\circ}\text{C}$	A	40
Rated insulation voltage U_i IEC/EN	V	1500
Rated impulse withstand voltage U_{imp}	kV	8
Operating current I_e		
DC21A	600V	A 40
	800V	A 40
	1000V	A 32
DC21B	600V	A 40
	800V	A 40
	1000V	A 32
DCPV1	600V	A 40
	800V	A 40
	1000V	A 32
Power dissipation per pole max	W	1,9
Reactive power for control of capacitors at Rated short time current (1s) I_{cw} (rms)	kA	0.5
Mechanical life	cycles	10000

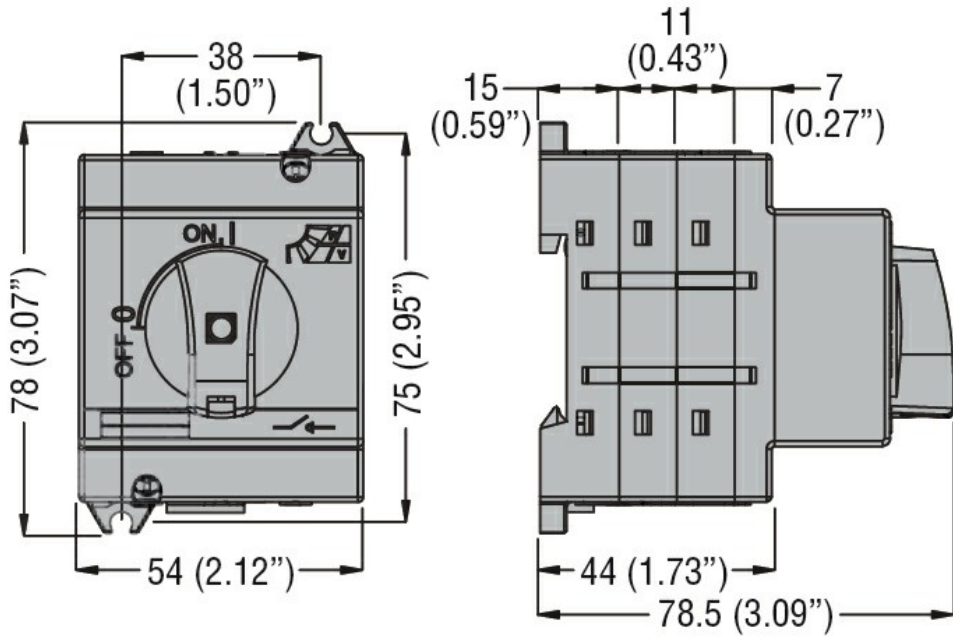
Mechanical features

Operating position	normal allowable	Vertical plan Any
Fixing		Screw / DIN rail 35mm
Terminals	type	Screw with washer
	width	mm 5.6
	height	mm 6.5
	screw	M4
	tool	Phillips 1
Tightening torque for terminals	min	Nm 1.2
	max	Nm 1.6
	min	lbin 1.3
	max	lbin 1.2
Conductor section	IEC min	mm ² 1
	IEC max	mm ² 10
	AWG/kcmil min	18
	AWG/kcmil max	kcmil 8

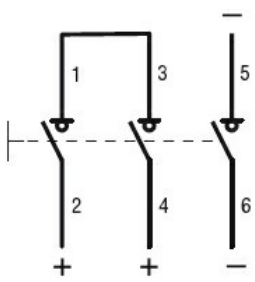
Ambient conditions

Operating temperature

	min	°C	-25
	max	°C	+55
Storage temperature			
	min	°C	-40
	max	°C	+70
Max altitude		m	3000
Resistance & Protection			
Frontal IP degree			IP20
Dimensions			



Wiring diagrams



Certifications and compliance

Compliance	IEC/EN 60947-1
	IEC/EN 60947-3
Certifications	EAC

ETIM classification

ETIM 8.0	EC000216 - Switch disconnector
----------	--------------------------------