



Contact characteristics

IEC Conventional free air thermal current $I_{th} \leq 40^\circ\text{C}$	A	160
Rated insulation voltage U_i IEC/EN	V	1000
Rated impulse withstand voltage U_{imp}	kV	8
Operating current I_e		
AC21A	400V	A 160
	500V	A 160
	690V	A 160
AC22A	400V	A 160
	500V	A 160
	690V	A 125
AC23A	400V	A 160
	500V	A 125
Power dissipation per pole max	W	4
Rated operational power AC23A	400V	kW 89
	690V	kW 76
Reactive power for control of capacitors at		
Rated short time current (1s) I_{cw} (rms)	kA	7
Conditional short-circuit current (rms)	kA	100
Short-circuit protection with fuse	Class/A	gG160
Making capacity AC23A 400V	A	1600
Mechanical life	cycles	30000
Electrical life AC21A	cycles	1000 (AC23A 400V)

Mechanical features

Operating position	normal allowable	Vertical plan Any
Fixing		Screw
Terminals	type screw	Bar M8
Tightening torque for terminals	max	Nm 13
	max	lbin 10
Conductor section		
Bar dimensions max		18x3

Ambient conditions

Operating temperature	min	$^\circ\text{C}$	-25
	max	$^\circ\text{C}$	55

Storage temperature

min	°C	-40
max	°C	70

Max altitude

m	3000
---	------

Resistance & Protection

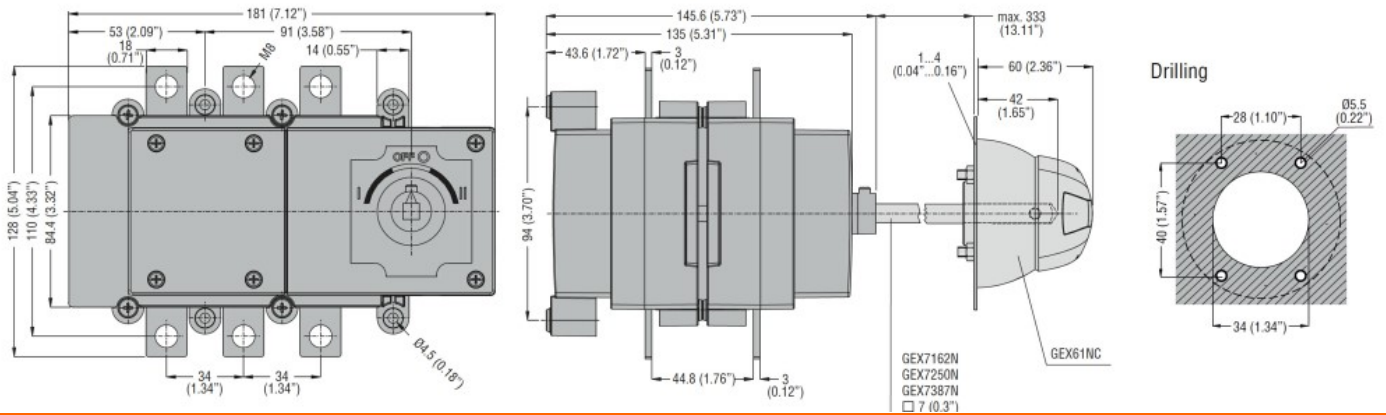
Frontal IP degree

IP20

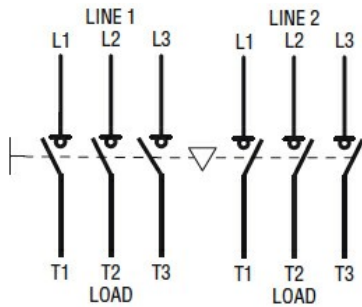
Pollution degree

3

Dimensions



Wiring diagrams



Certifications and compliance

Compliance

IEC/EN 60947-1
IEC/EN 60947-3

Certifications

EAC

ETIM classification

ETIM 8.0

EC000216 -
Switch
disconnecter